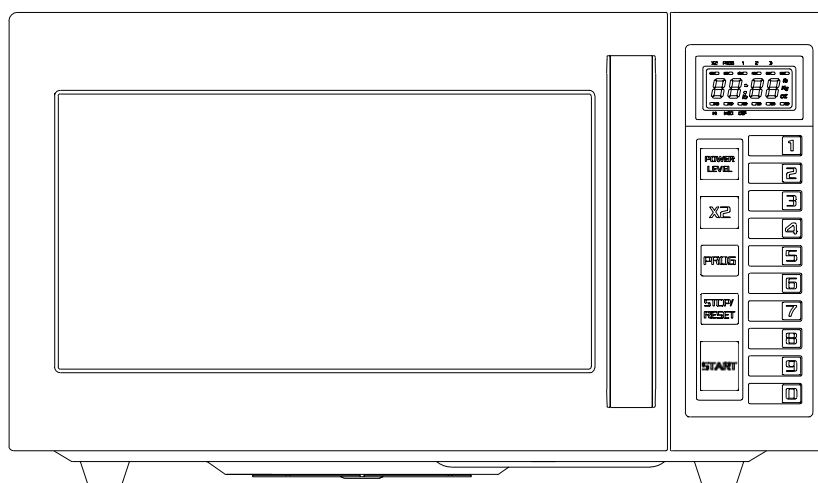




MW10T

Commercial Microwave Oven

Operation Manual



PLEASE KEEP THIS DOCUMENT FOR FUTURE REFERENCE

Please read these instructions carefully before installing and operating your oven.

Record in the space below the Serial No. found on the rating plate of your oven and retain this information for future reference.

SERIAL NO:

www.maestrowave.com
customerservice@maestrowave.com

Sole Worldwide Distributor:

R H Hall, Hallco House, Beacon Court, Pitstone Green Business Park, Pitstone, Bedfordshire, LU7 9GY
Tel: 01296 663400 Email: customerservice@rhhall.com Web: www.rhhall.com

PRECAUTIONS TO AVOID POSSIBLE EXPOSURE TO EXCESSIVE MICROWAVE ENERGY

1. Do not attempt to operate this oven with the door open since open-door operation can result in harmful exposure to microwave energy. It is important not to disable or tamper with the safety interlocks.
2. Do not place any object between the front of the oven and the door or allow dirt or cleaner residue to accumulate on sealing surfaces.
3. Do not operate the oven if it is damaged. It is very important that the oven door closes properly and that there is no damage to the
 - a) Door (including any dents)
 - b) Hinges and latches (broken or loose)
 - c) Door seals and sealing surfaces.
4. The oven should not be adjusted or repaired by anyone except qualified service personnel.

CONTENTS

Specifications	Page 2
Important Safety Instructions	Page 2-3
Installation	Page 3
Grounding Instructions	Page 4
Diagram and Control Panel	Page 4
Digital Display Action Indicators	Page 5
How to Set the Oven Controls	Page 5-7
• Time and Power Level Cooking	Page 5
• Multiple Stage Cooking	Page 5
• Using/Saving a Program	Page 6
• How to Use the x2 Pad	Page 6
• Auto Start	Page 6
• Count of Operations	Page 7
• Lock	Page 7
Helpful Instructions	Page 7-9
• Utensils Guide	Page 7
• For Best Cooking Results	Page 7
• Important Warnings	Page 8
• Microwave Basics	Page 8
Cleaning and Care	Page 9

SPECIFICATIONS

Power Consumption	230~240V/50Hz, 1600W
Rated Microwave Power Output	1000W
Operation Frequency	2450MHz
Outside Dimensions	320mm (H) x 520mm (W) x 465mm (D)
Cavity Dimensions	190mm (H) x 335mm (W) x 364mm (D)
Oven Capacity	25 Litres
Net Weight	Approx. 17.7kg

IMPORTANT SAFETY INSTRUCTIONS

When using electrical appliances, basic safety precautions should be followed, including the following:

WARNING! To reduce the risk of burns, electric shock, fire, injury to persons or exposure to excessive microwave energy:

1. Read all instructions before using this appliance.
2. If the door or door seals are damaged, the oven must not be operated until it has been repaired by an authorised service agent.
3. Use this appliance only for its intended use as described in the manual. Do not use corrosive chemicals or vapours in this appliance. This type of oven is specifically designed to heat and cook food. It is not designed for industrial or laboratory use.
4. Do not operate the oven when empty.
5. Do not operate this appliance if it has a damaged cord or plug, if it is not working properly, or if it has been damaged or dropped. If the supply cord is damaged, it must be replaced by the manufacturer, authorised service agent or a similarly qualified person in order to avoid a hazard.
6. **WARNING!** Only allow children to use the oven without supervision when adequate instructions have been given so that the child is able to use the oven in a safe way and understands the hazards of improper use.
7. To reduce the risk of fire in the oven cavity:
 - When heating food in a plastic or paper container, monitor the oven due to the possibility of ignition.
 - Remove wire twist-ties from paper or plastic bags before placing in oven.
 - If smoke is observed, switch off or unplug the appliance and keep the door closed in order to stifle any flames.
 - Do not use the cavity for storage purposes. Do not leave paper products, cooking utensils, or food in the cavity when not in use.
 - The microwave oven is intended for heating food and beverages. Drying of food or clothing and heating of warming pads, slippers, sponges, damp cloth and similar may lead to risk of injury, ignition or fire.
8. **WARNING!** Liquid or other food must not be heated in sealed containers since they are liable to explode.
9. Microwave heating of beverages can result in delayed eruptive boiling, therefore care has to be taken when handling the container.
10. Do not fry food in the oven. Hot oil can damage oven parts and utensils and even result in skin burns.
11. Eggs in their shell and whole hard-boiled eggs should not be heated in microwave ovens since they may explode even after microwave heating has ended.
12. Pierce foods with heavy skins such as potatoes, whole squashes, apples and chestnuts before cooking.
13. The contents of feeding bottles and baby food jars should be stirred or shaken and the temperature should be checked before serving in order to avoid burns.
14. Cooking utensils may become hot because of heat transferred from the heated food. Gloves may be needed to handle the utensil.
15. Utensils should be checked to ensure that they are suitable for use in microwave oven. Any utensil that feels hot after 60 seconds at high power should not be used.
16. **WARNING!** It is hazardous for anyone other than a trained person to carry out any service or repair operation which involves the removal of any cover which gives protection against exposure to microwave energy. This includes changing the power cord or bulbs.

17. This product is a Group 2 Class B ISM equipment. The definition of Group 2 which contains all ISM (Industrial, Scientific and Medical) equipment in which radio-frequency energy is intentionally generated and/or used in the form of electromagnetic radiation for the treatment of material, and spark erosion equipment. For Class B equipment is equipment suitable for use in domestic establishments and in establishments directly connected to a low voltage power supply network which supplies buildings used for domestic purpose.
18. This appliance is not intended for use by persons (including children) with reduced physical, sensory or mental capabilities, or lack of experience and knowledge, unless they have been given supervision or instruction concerning use of the appliance by a person responsible for their safety.
19. Children should be supervised to ensure that they do not play with the appliance.
20. The oven should be cleaned regularly and any food deposits removed
21. Failure to maintain the oven in a clean condition could lead to deterioration of the cavity surface, which could affect the lifetime of the appliance and possibly result in a hazardous situation.
22. The appliance should not be cleaned with a water jet.
23. The microwave oven is only for use as a freestanding appliance.
24. **WARNING!** Do not install oven over a range cook top or other heat-producing appliance. This could lead to damage to the microwave and invalidation of the warranty.
25. The microwave oven should not be placed in a cabinet.
26. **WARNING!** The appliance and its accessible parts become hot during use. Young children should be kept away.
27. Care should be taken to avoid touching heating surfaces inside the oven.
28. The temperature of accessible surfaces may be high when the appliance is operating.
29. The appliances are not intended to be operated by means of an external timer or separate remote-control system.
30. Never remove the distance holder in the back or on the sides, as it ensures a minimum distance from the wall for air circulation.
31. The microwave oven is intended for defrosting, cooking and steaming of food only.
32. Use gloves if you remove any heated food.
33. **CAUTION!** Steam will escape, when opening lids or uncovering food.

INSTALLATION

1. Make sure that all packaging materials are removed from the inside of the door.
2. **WARNING!** Check the oven for any damage, such as: misaligned or bent door, damaged door seals or surfaces, broken or loose door hinges/latches, damage inside the cavity or on the door. If there is any damage, do not operate the oven and contact an authorised service agent.
3. This microwave must be placed on a flat, stable surface designed to hold its weight and the heaviest food likely to be cooked in the oven.
4. Do not place the oven where heat, moisture or high humidity are generated, or near combustible materials.
5. For correct operation, the oven must have sufficient airflow. Allow 20cm of space above the oven, 10cm at the back and 5cm at both sides. Do not cover or block any openings on the appliance. Do not remove feet.
6. Make sure that the power supply cord is undamaged and does not run underneath the oven, or over any hot or sharp surface.

GROUNDING INSTRUCTIONS

This appliance must be grounded. This oven is equipped with a cord having a grounding wire with a grounding plug. It must be plugged into a wall socket that is properly installed and grounded. In the event of an electrical short circuit, grounding reduces risk of electric shock by providing an escape wire for the electric current. It is recommended that a separate circuit serving only the oven be provided. Using a high voltage is dangerous and may result in a fire or other accident causing oven damage.

WARNING! Improper use of the grounding plug can result in a risk of electric shock.

Note:

1. If you have any questions about the grounding or electrical instructions, consult a qualified electrician or authorised service agent.
2. Neither the manufacturer nor the dealer can accept any liability for damage to the oven or personal injury resulting from failure to observe the electrical connection procedures.

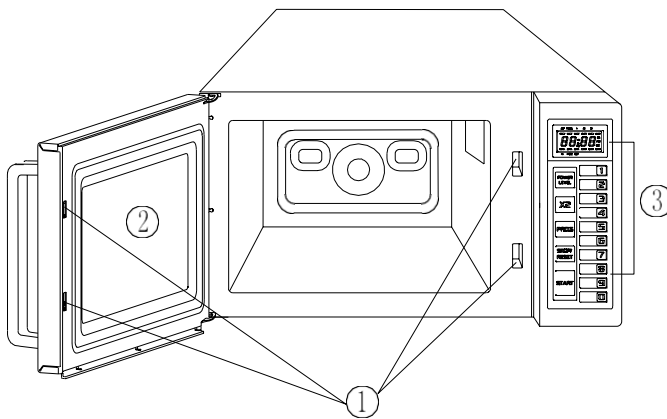
The wires in this cable main are colored in accordance with the following code:

Green and Yellow = EARTH

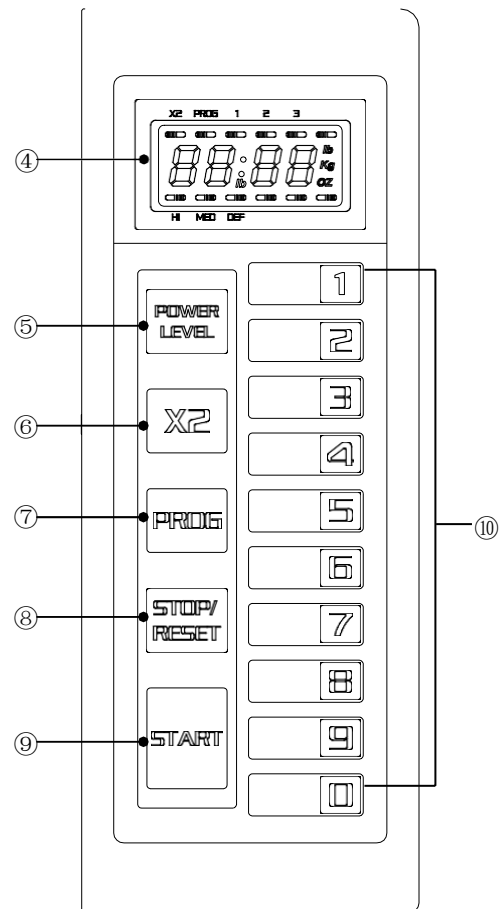
Blue = NEUTRAL

Brown = LIVE

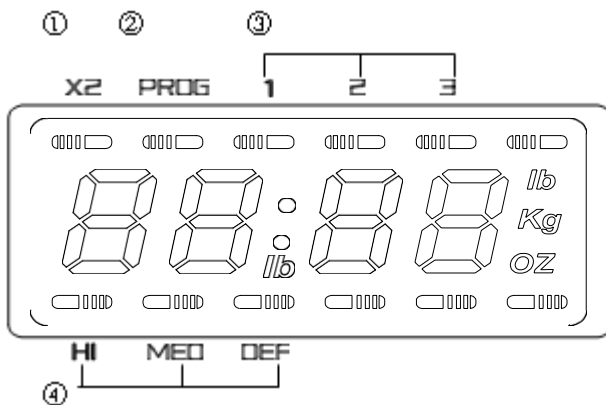
DIAGRAM AND CONTROL PANEL



1. Door Safety Lock System
2. Oven Window
3. Control Panel



DIGITAL DISPLAY ACTION INDICATORS



1. **X2** Indicates cooking in x2 feature
2. **PROG** Indicating program settings
3. **Numbers** Indicating the cooking stage
4. **Power Level** Being used for cooking

HOW TO SET THE OVEN CONTROLS

TIME AND POWER LEVEL COOKING

To set a cooking program, select a cooking power level and then use the number pads to set the cooking time, followed by the START button.

Press Power Level Button	Power Level Selected
Once	HI (100%)
Two Times	MED (50%)
Three Times	DEF (30%)

For example to set a single stage cook at high power for 3 minutes:

1. Touch POWER LEVEL pad once
2. Touch number pads 3, 0, 0
3. Touch START pad

MULTIPLE STAGE COOKING

Food may require different stages of cooking with different power levels and cooking times at each stage. You can set up to 3 stages.

For Stage 1 Cooking:

Set the first stage according to Time and Power Level Cooking instructions above, but DO NOT press the start key.

For Stage 2 Cooking:

Press POWER LEVEL according to the table above, to select a different setting for the next stage. Then use the number pads to select the cooking time required for Stage 2. Press START to proceed with 2 stage cooking, OR repeat the process to set stage 3 and then press START

USING/SAVING A PROGRAM

To use a program, simply press the required number key and the oven will immediately start cooking based on the selected settings. Your oven will come preset with cooking programs already assigned to each number key. The default oven settings are shown below:

Number Pad	1	2	3	4	5	6	7	8	9	0
Preset	10 sec	20 sec	30 sec	45 sec	1 min	1 min	2 min	2 min	3 min	3 min
	100%	100%	100%	100%	100%	30 sec	100%	30 sec	100%	30 sec
						100%		100%		100%

For frequently used cooking stages and times, you can save your own settings to a number key and conveniently activate it just by pressing the number button.

To override a default program with your own setting:

1. Touch PROG, you will hear a beep. Then immediately press POWER LEVEL, you will hear 2 beeps
2. Press the number key that you wish to save your program to
3. Enter up to 3 cooking stages – see instructions for Time and Power Level and Multiple Stage Cooking
4. Touch PROG, then POWER LEVEL again to save
5. Press STOP to return to normal operation

HOW TO USE THE X2 PAD

The x2 pad has 2 functions.

- It can be used to simply double the time of any program. Simply press the x2 key, followed by the preset number that you wish to use. This function can only be used if you have not set a second program, as below.
- It can be used to store a further 10 presets. These can be single stage only.
 1. Touch PROG, you will hear a beep. Then immediately press POWER LEVEL, you will hear 2 beeps
 2. Press x2 pad
 3. Press the number key that you wish to save your program to
 4. Enter the power level and time required
 5. Touch PROG, then POWER LEVEL again to save
 6. Press STOP to return to normal operation
 7. To operate the second program, press x2, followed by the preset number

AUTO START

As a default setting, the oven will automatically start cooking as soon as a number key is pressed.

To remove this feature, press and hold STOP/RESET for 5 seconds, with the oven door closed. The display will show P.

You can now select any number pad and will need to press START before cooking commences.

If you wish to turn Auto Start back on, simply hold STOP/RESET for 5 seconds again. The display will show P+L.

COUNT OF OPERATIONS

To read the count of how many times the oven has been used.

1. Open the oven door
2. Press and hold STOP/RESET, then press and hold POWER LEVEL at the same time. The display will show how many times the oven has been used.

LOCK

In standby mode, press and hold PROG for 5 seconds. A beep will sound and the display will show LOC. The control panel and all functions will be disabled.

To unlock the oven, simply hold PROG for 5 seconds again, until the beep sounds and the oven will return to normal operation.

HELPFUL INSTRUCTIONS

UTENSILS GUIDE

1. The ideal material for a microwave container allows microwave energy to pass through it and heat the food.
2. Microwaves cannot penetrate metal, so metal utensils or dishes with metallic trim should not be used.
3. Do not use recycled paper products when microwave cooking, as they may contain small metal fragments which may cause sparks or fires.
4. Round/oval dishes are recommended over square/oblong dishes, as food in corners tends to overcook.

The list below is a general guide to help you select the correct utensils.

Cookware	Microwave Safe?
Heat Resistant Glass	YES
Non-Heat Resistant Glass	NO
Heat Resistant Ceramics	YES
Microwave Safe Plastic	YES
Kitchen Paper	YES
Metal Tray	NO
Metal Rack	NO
Aluminium Foil and Foil Containers	NO

FOR BEST COOKING RESULTS

1. When determining cooking time, always select the minimum time and check progress during cooking. It is easy to overcook foods with microwave speed.
2. Be careful when cooking small quantities of food or food with low water content. They may burn if cooked for too long.
3. Do not use the oven for drying kitchen towels or napkins.
4. Do not boil eggs in the oven.
5. When cooking an egg, pierce the yolk membrane before cooking to prevent the egg bursting.
6. To achieve more even cooking, open the door during the cooking process and turn the dish and/or food.

IMPORTANT WARNINGS

1. Food should only be carried out in microwave safe containers, as detailed above.
2. After cooking has completed, internal temperatures within the food may continue to rise, so caution should be used.
3. Be careful when cooking foods with a crust such as pastries, bread or pies. The filling may be much hotter than the outside.
4. For best results, take care not to overcook food.

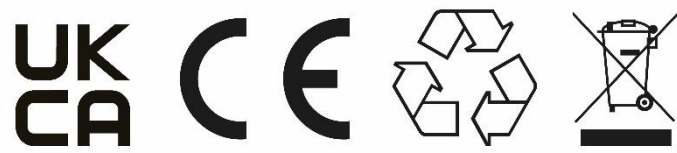
MICROWAVE BASICS

A number of factors determine the success of microwave cooking:

1. Temperature of foods – frozen or refrigerated foods require longer heating times to reach a desired serving temperature than foods cooked from ambient.
2. Food components – foods high in sugar, salts, fats and moisture content heat faster because these properties attract microwave energy. Denser foods that are high in protein and fibre absorb microwave energy slower which means a longer heating time.
3. Volume of food – the greater the mass of food, the longer it takes to heat.
4. Containers – ensure that the advice contained within this manual on microwave safe utensils is adhered to. Using other containers could result in undesired cooking results, damage to containers or to the microwave itself.
5. Do not use metal – because microwaves cannot penetrate metal, this will cause uneven cooking and can also cause arcing, which can damage the microwave.
6. When heating liquids, ensure they are stirred regularly during cooking. Liquids can quickly boil over after microwave cooking.

CLEANING AND CARE

1. Turn off the oven and remove the power plug from the wall before cleaning.
2. Keep the inside of the oven clean by regularly wiping any food debris from the cavity walls with a damp cloth. Mild detergent may be used if the oven gets very dirty. Avoid the use of harsh chemical sprays and cleaners as they may damage the door surface.
3. The outside of the oven should be cleaned with a damp cloth. To prevent damage to the internal components, water should not be allowed to seep into any ventilation openings.
4. Wipe the door and glass on both sides, as well as regularly wiping the door seals and hinges with a damp cloth. Do not use abrasive cleaners.
5. Do not allow the control panel to become wet. Clean only with a soft, damp cloth. When cleaning the control panel, ensure the oven door is left open to prevent accidental operation of the oven.
6. If steam accumulates inside or around the outside of the oven door, wipe with a soft cloth. This may occur normally when operating in humid conditions.
7. The cavity base should be cleaned regularly. Simply wipe the surface with a mild detergent.
8. Odours can be removed by mixing water with the juice and skin of 1 lemon in a deep microwavable bowl. Microwave for 5 minutes, then wipe the interior thoroughly with a soft cloth.
9. When it becomes necessary to replace the oven light, please contact an authorised service agent.
10. Failure to keep the oven in a clean condition could adversely affect the life of the appliance and possibly result in a hazardous situation. Damage caused by built up food residue could invalidate your warranty.
11. Your Maestrowave product is designed and manufactured with high quality materials and components which can be recycled and reused. At the end of its life, it should be disposed of separately from household waste. Please dispose of this equipment at your local community waste collection/recycling centre. According to Waste of Electrical and Electronic Equipment (WEEE) directive, WEEE should be separately collected and treated. If at any time in future you need to dispose of this product please do NOT dispose of this product with household waste. Please send this product to WEEE collecting points where available.





www.maestrowave.com
customerservice@maestrowave.com

Sole Worldwide Distributor:
R H Hall
Hallco House, Beacon Court
Pitstone Green Business Park
Pitstone, Bedfordshire
LU7 9GY
Tel: 01296 663400
Email: customerservice@rhhall.com