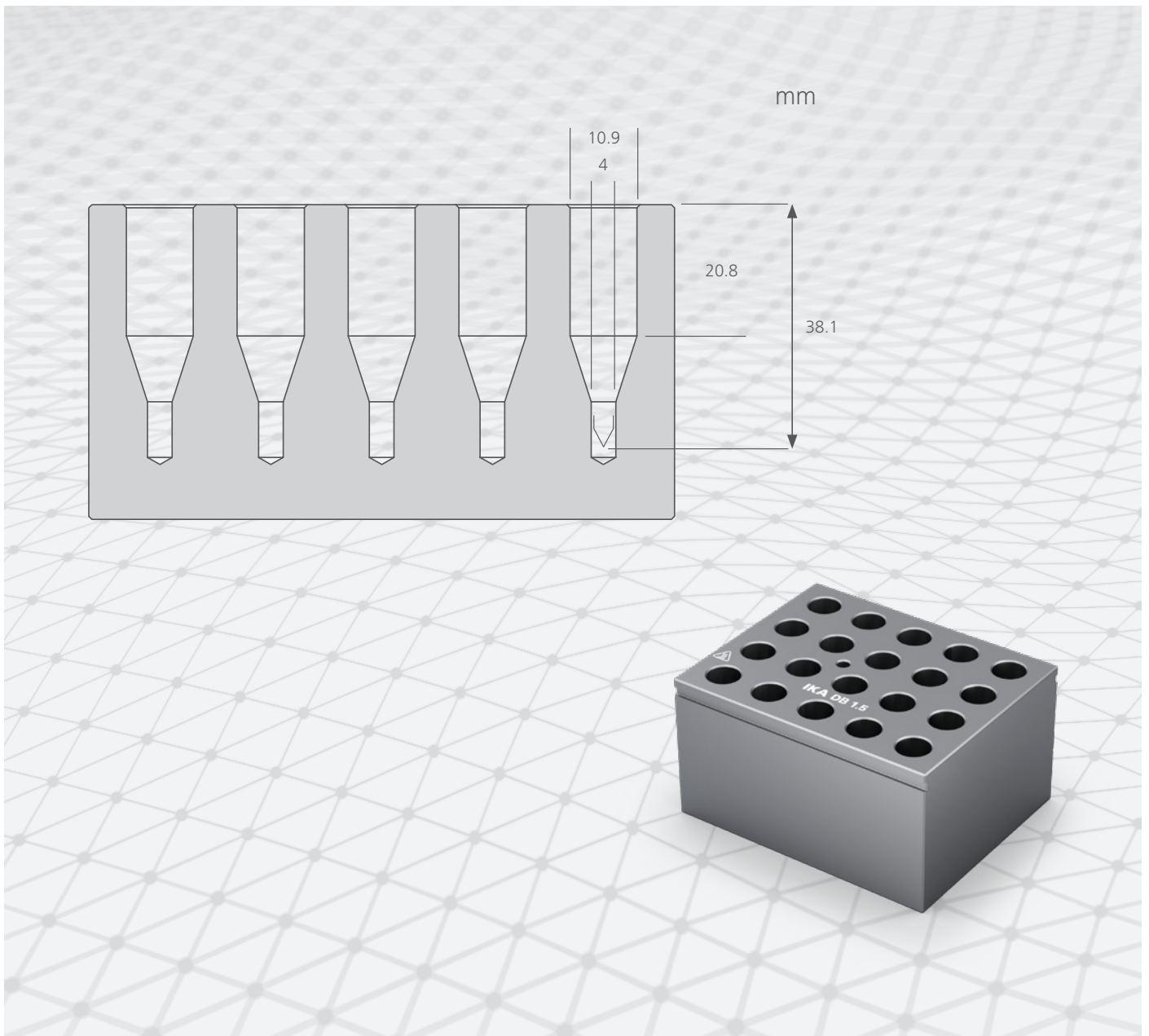




designed for scientists

EN



Overview | [Heating block geometries](#)

Heating blocks

DB 1



DB 1.1 | 3

DB 2



DB 2.1 | 8

DB 3



DB 3.1 | 10

DB 4



DB 4.1 | 13

DB 5



DB 5.1 | 22

DB 6



DB 6.1 | 31



DB 1.2 | 4



DB 2.2 | 9



DB 3.2 | 11



DB 4.2 | 14



DB 5.2 | 23



DB 6.2 | 32



DB 1.3 | 5



DB 3.3 | 12



DB 4.3 | 15



DB 5.3 | 24



DB 6.3 | 33



DB 1.4 | 6



DB 4.4 | 16



DB 5.4 | 25



DB 1.5 | 7



DB 4.5 | 17



DB 5.5 | 26



DB 4.6 | 18



DB 5.6 | 27



DB 4.7 | 19



DB 5.7 | 28



DB 4.8 | 20



DB 5.8 | 29

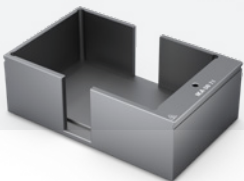


DB 4.9 | 21



DB 5.9 | 30

DB 7



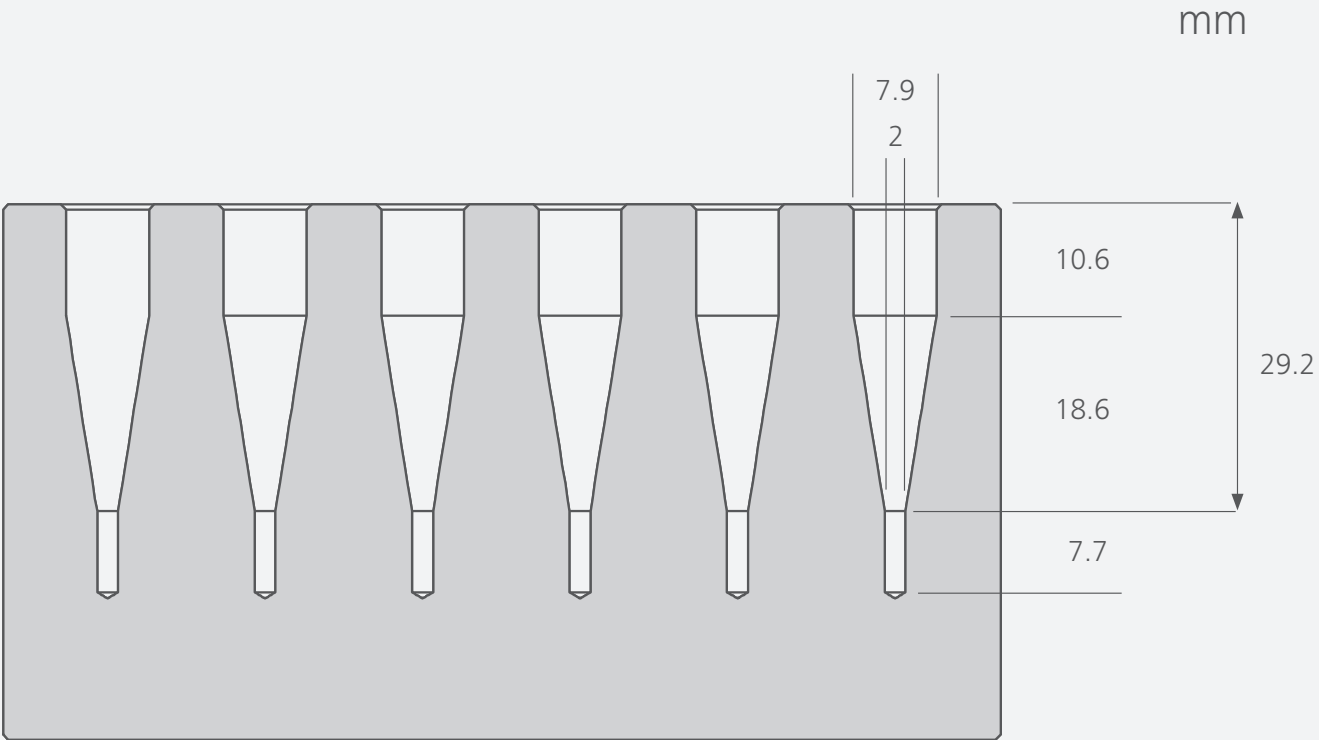
DB 7.1 | 34

DB 8

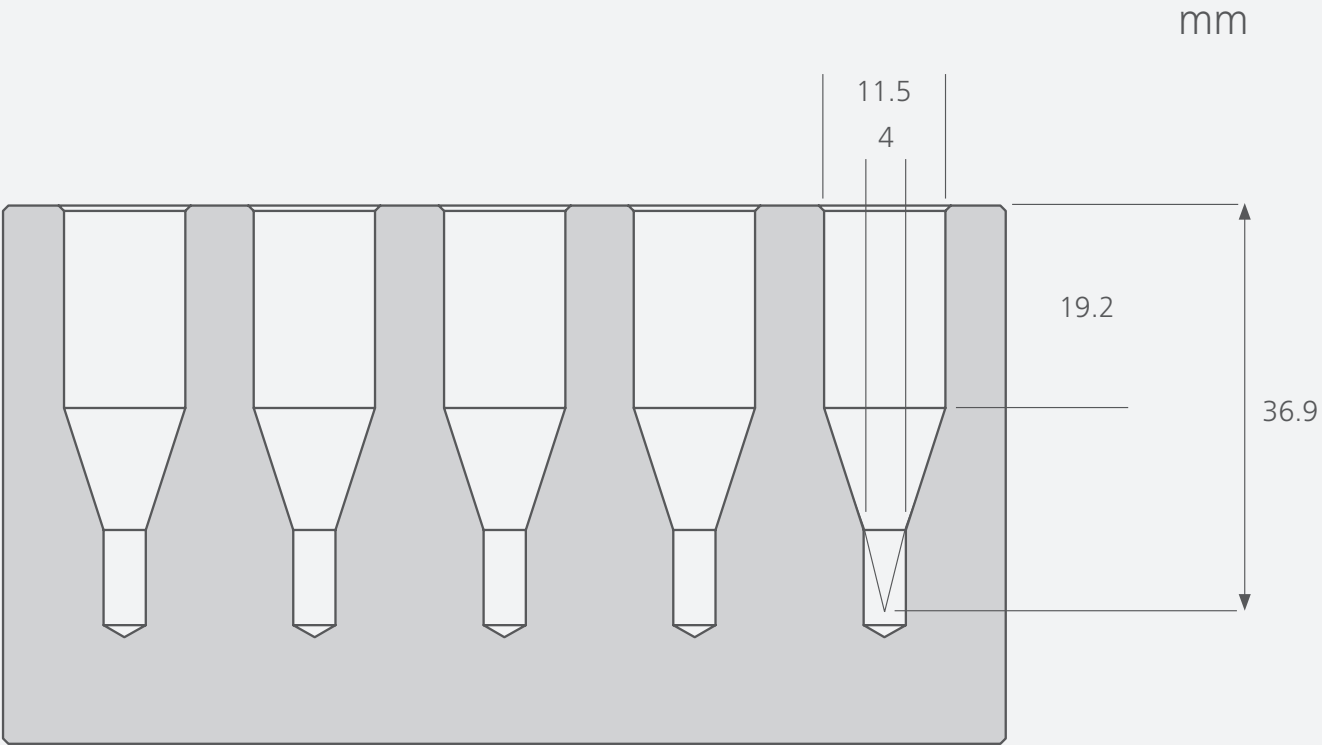


DB 8.1 | 35

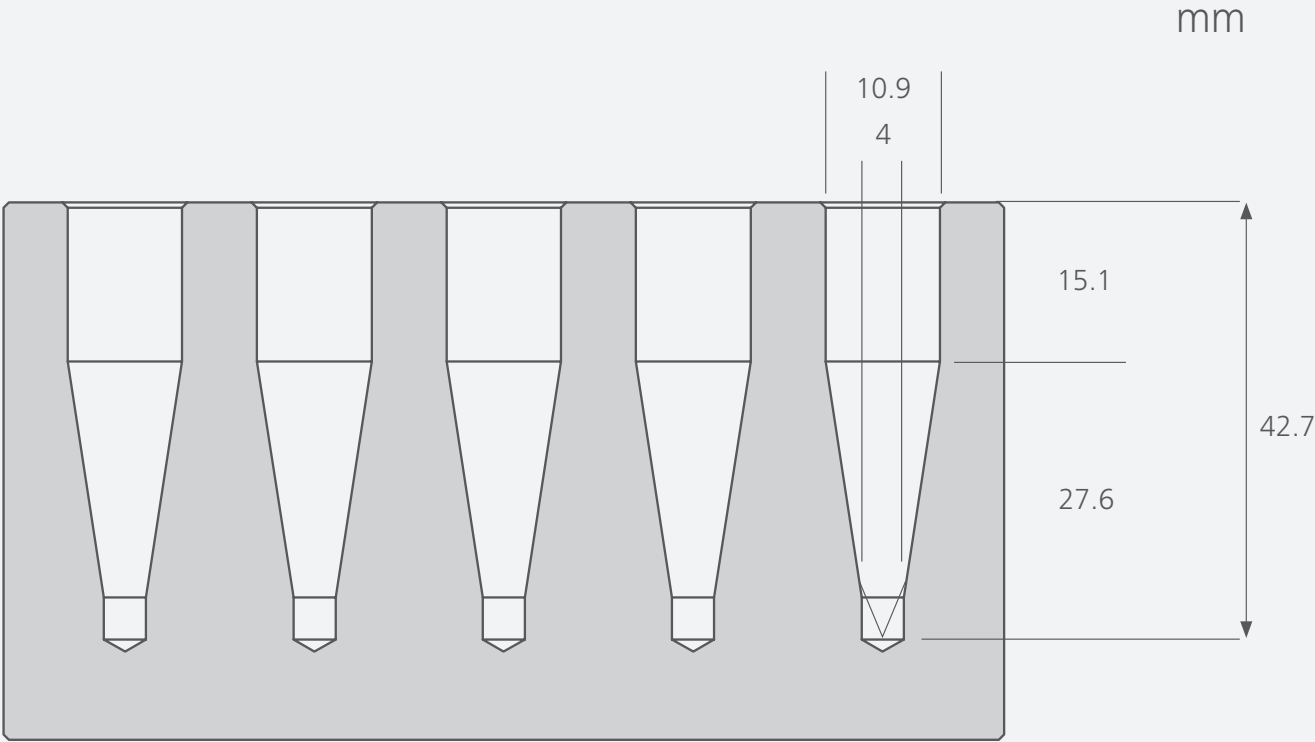
Heating Block DB 1.1



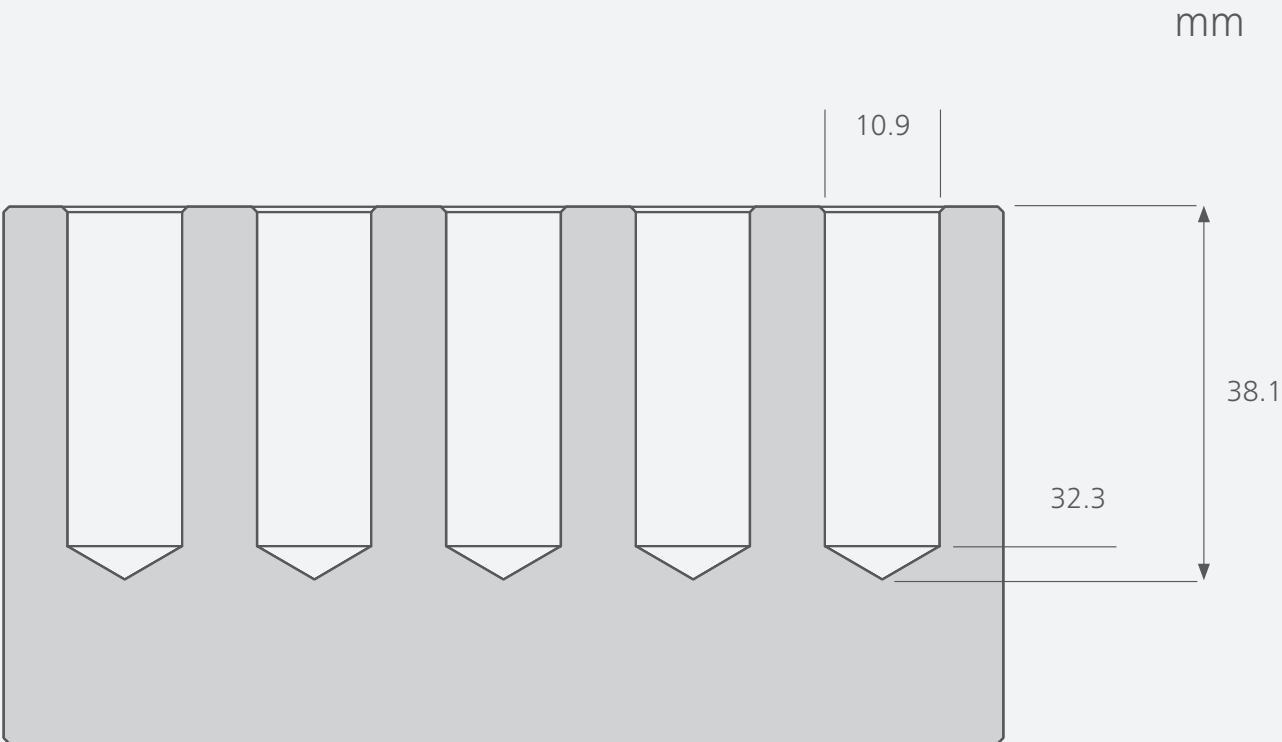
Heating Block DB 1.2



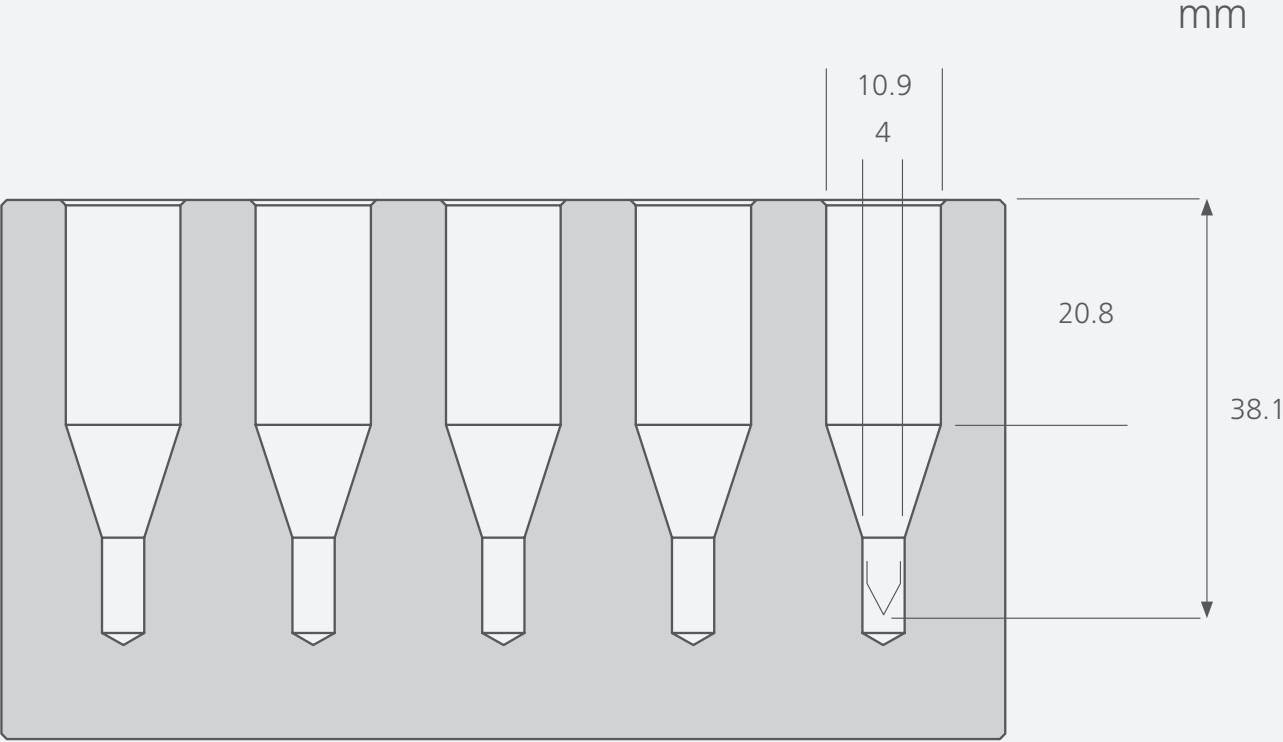
Heating Block DB 1.3



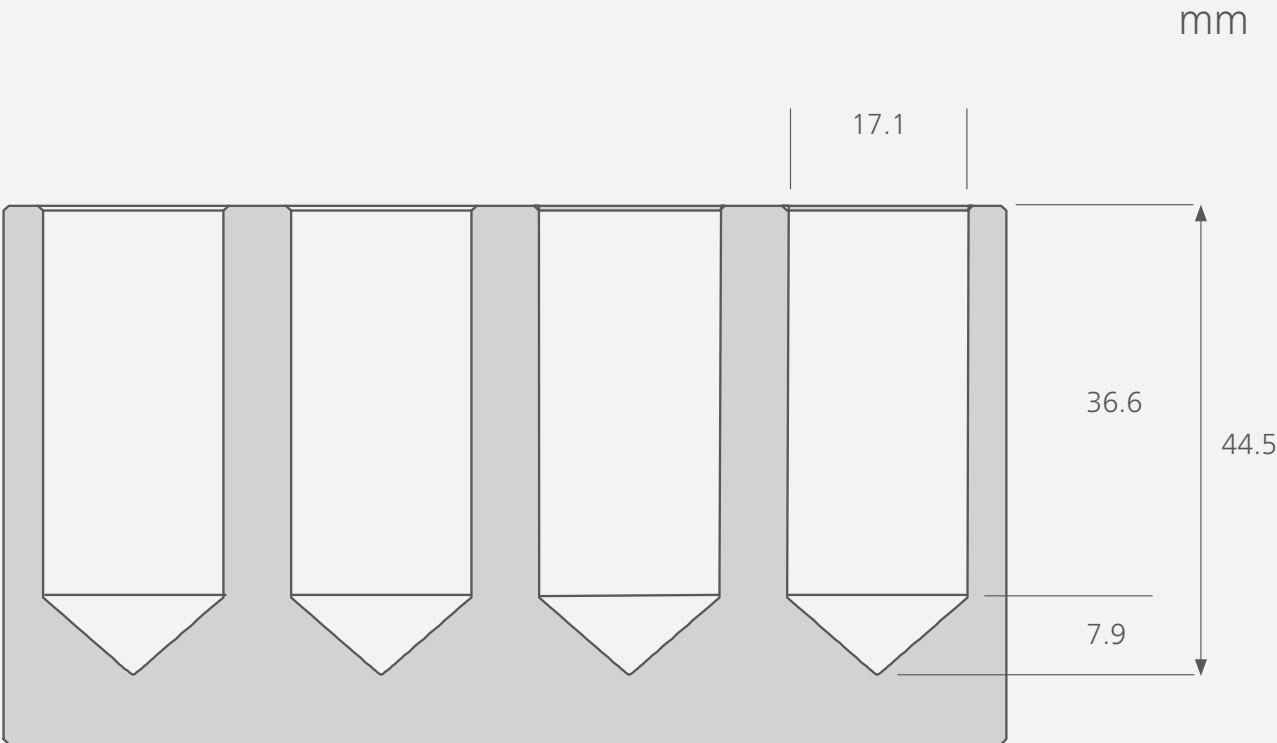
Heating Block DB 1.4



Heating Block DB 1.5



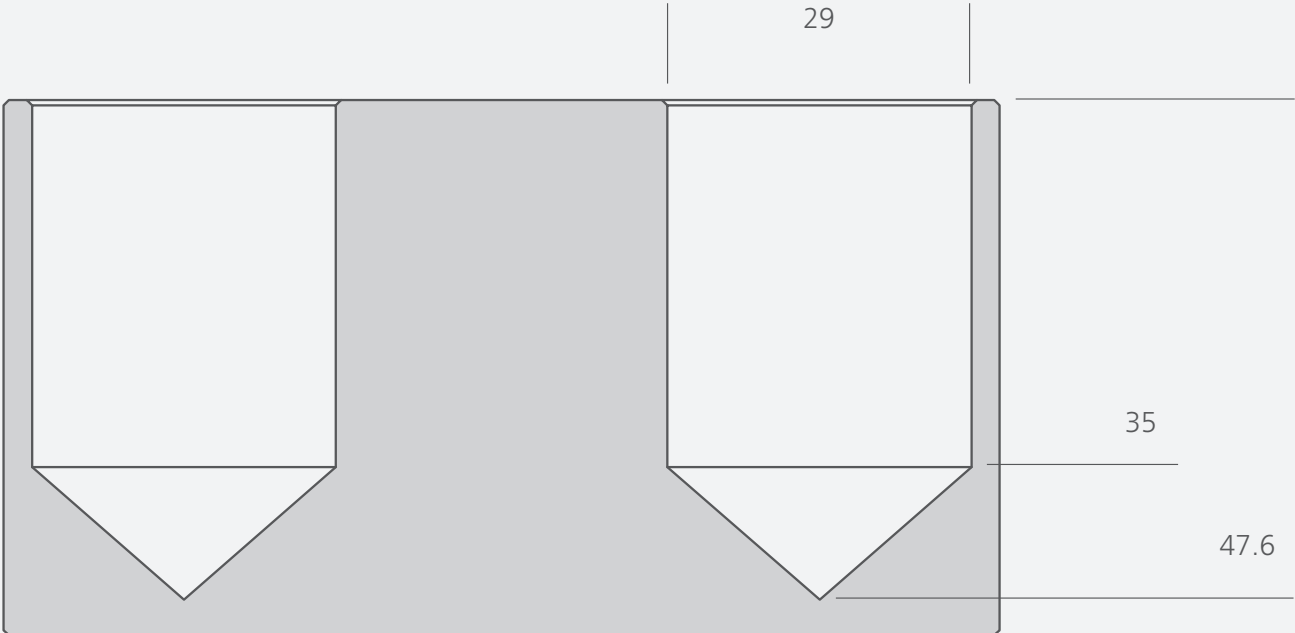
Heating Block DB 2.1



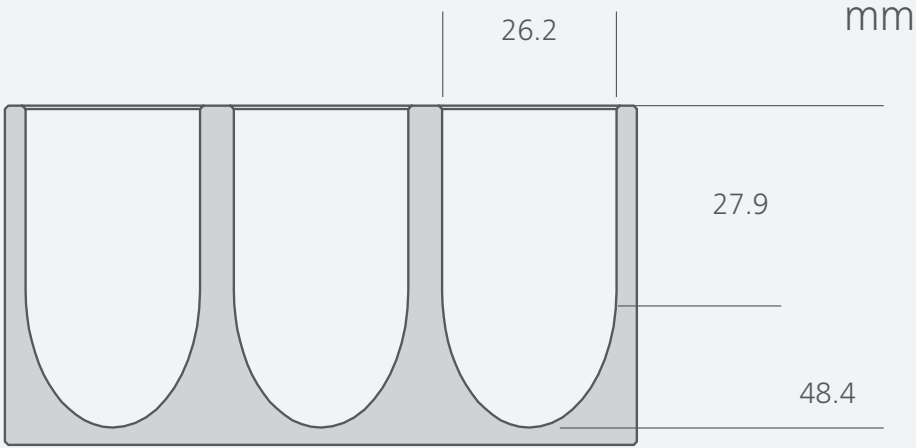
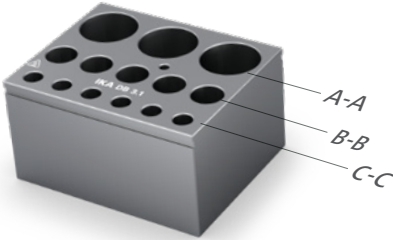
Heating Block DB 2.2



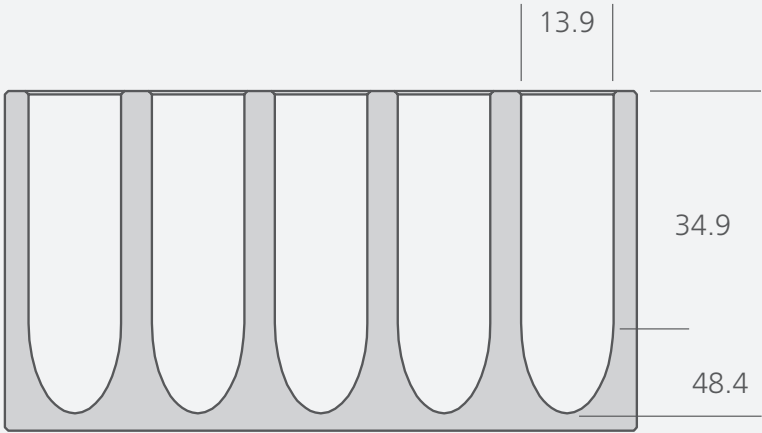
mm



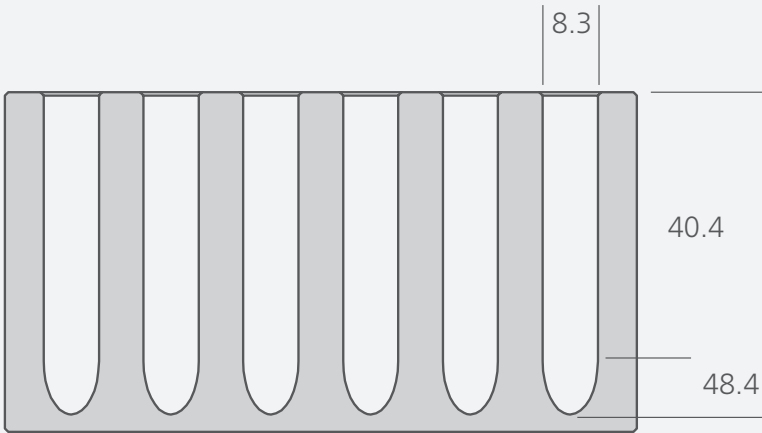
Heating Block DB 3.1



A-A (1:1)

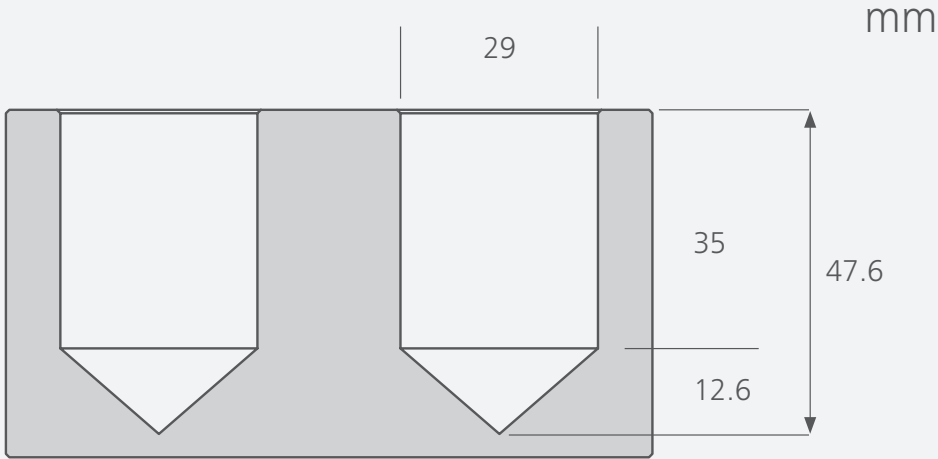


B-B (1:1)

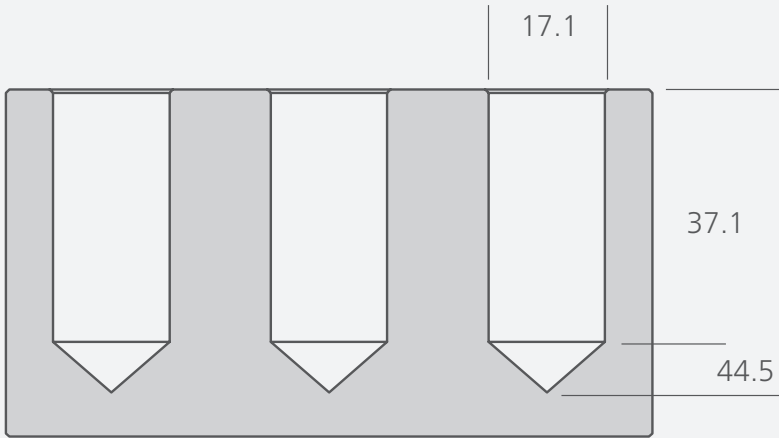


C-C (1:1)

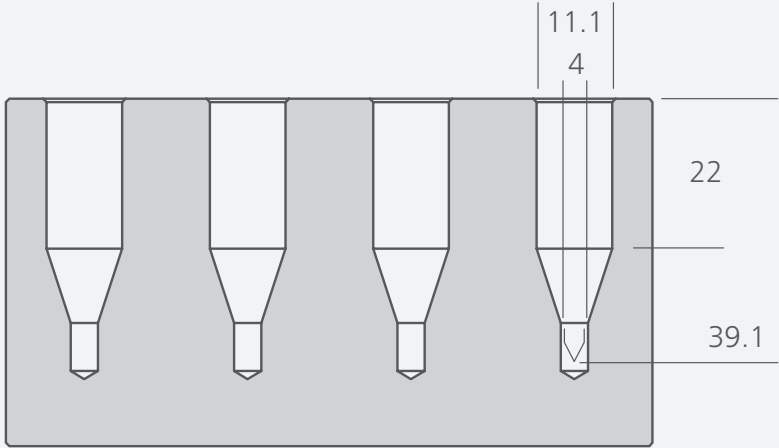
Heating Block DB 3.2



A-A (1:1)

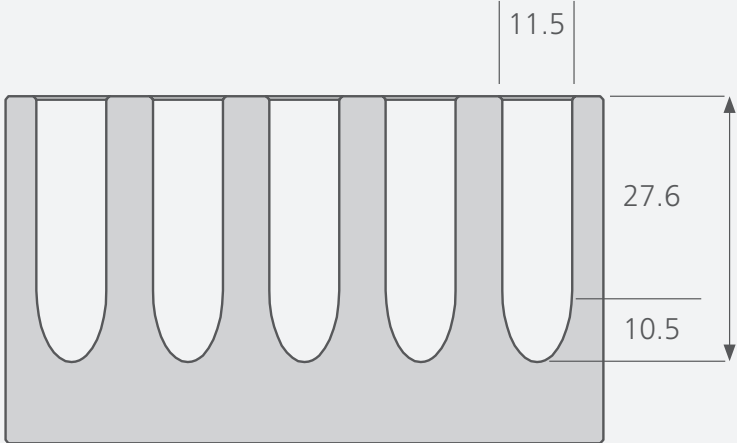
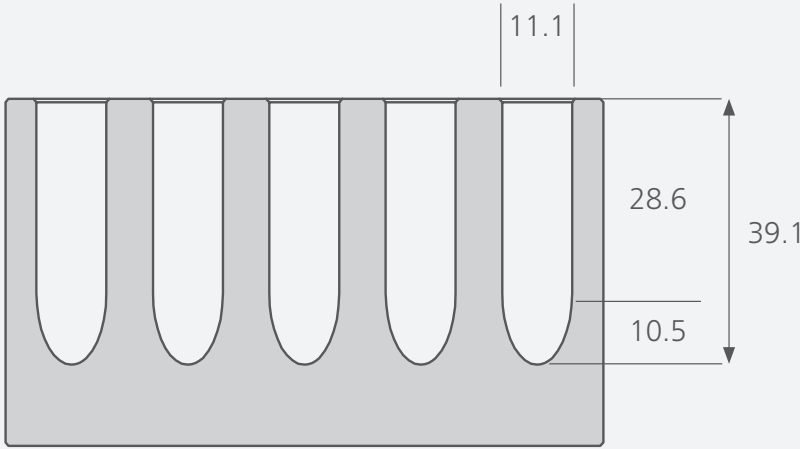
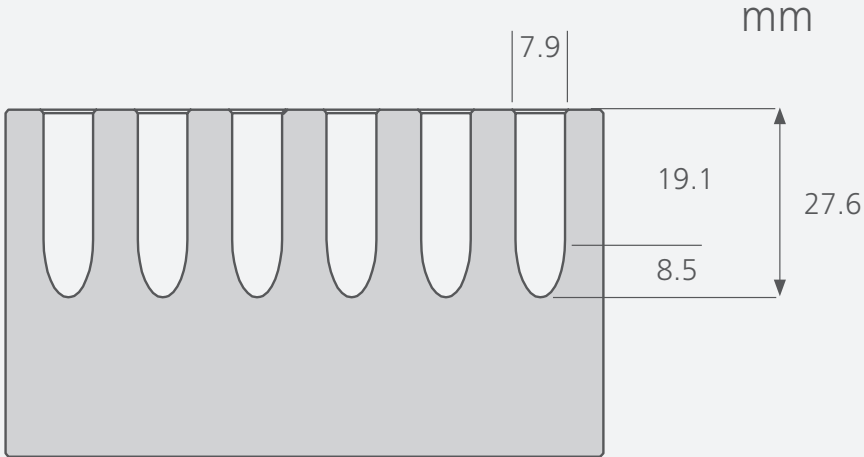
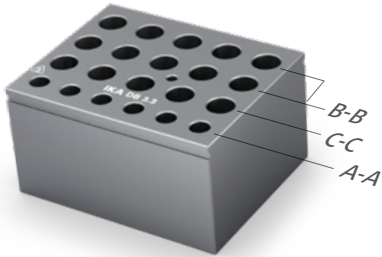


B-B (1:1)



C-C (1:1)

Heating Block DB 3.3

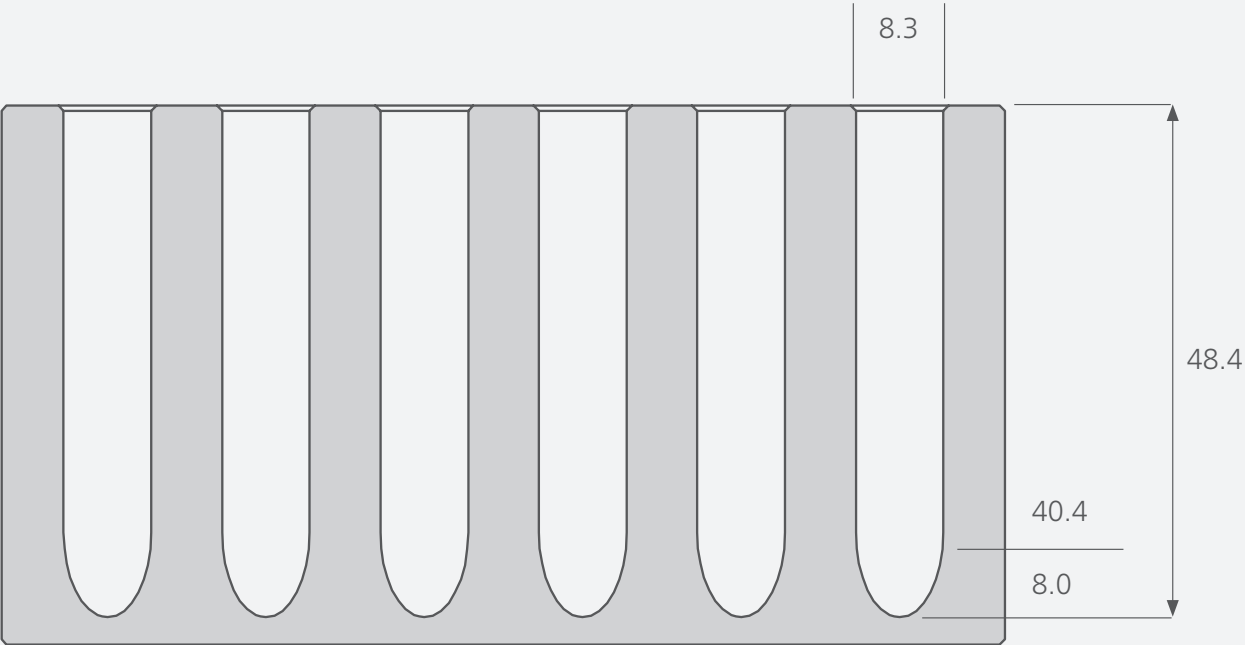


C-C (1:1)

Heating Block DB 4.1



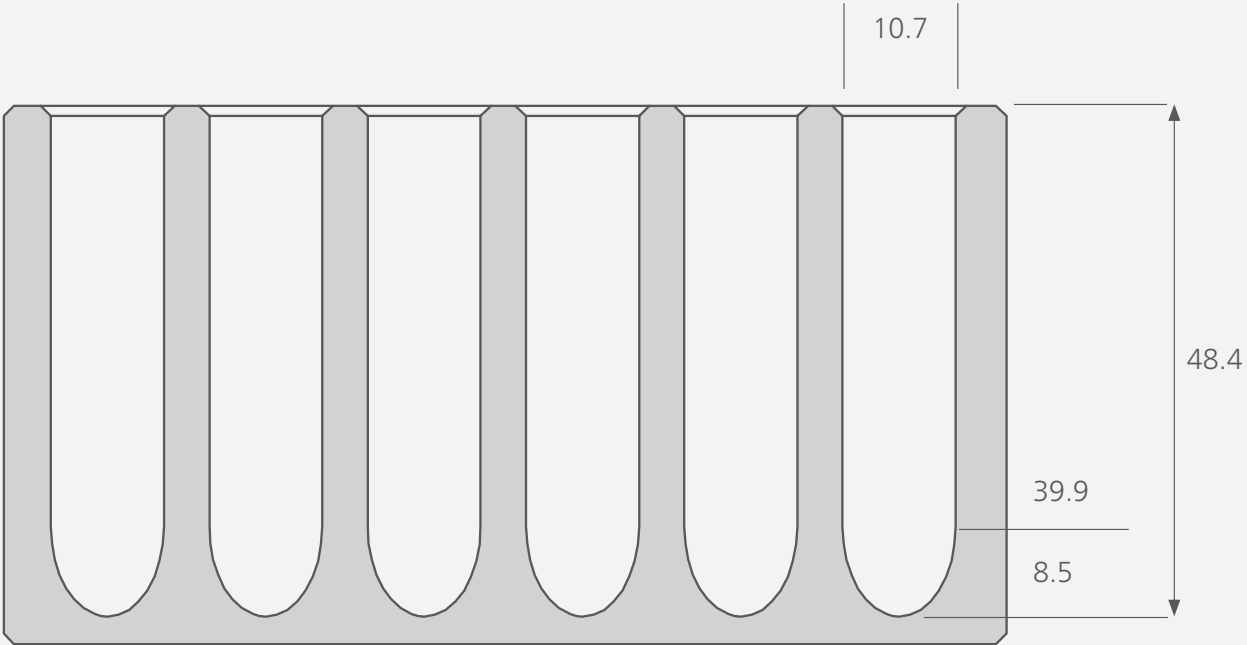
mm



Heating Block DB 4.2



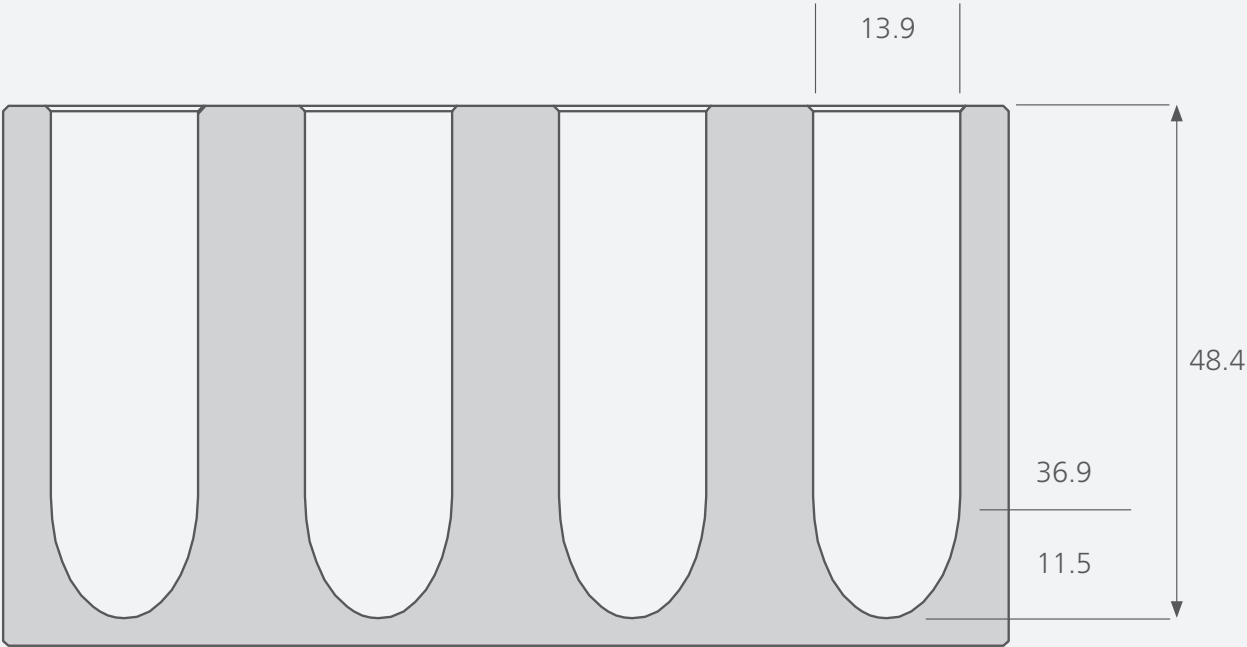
mm



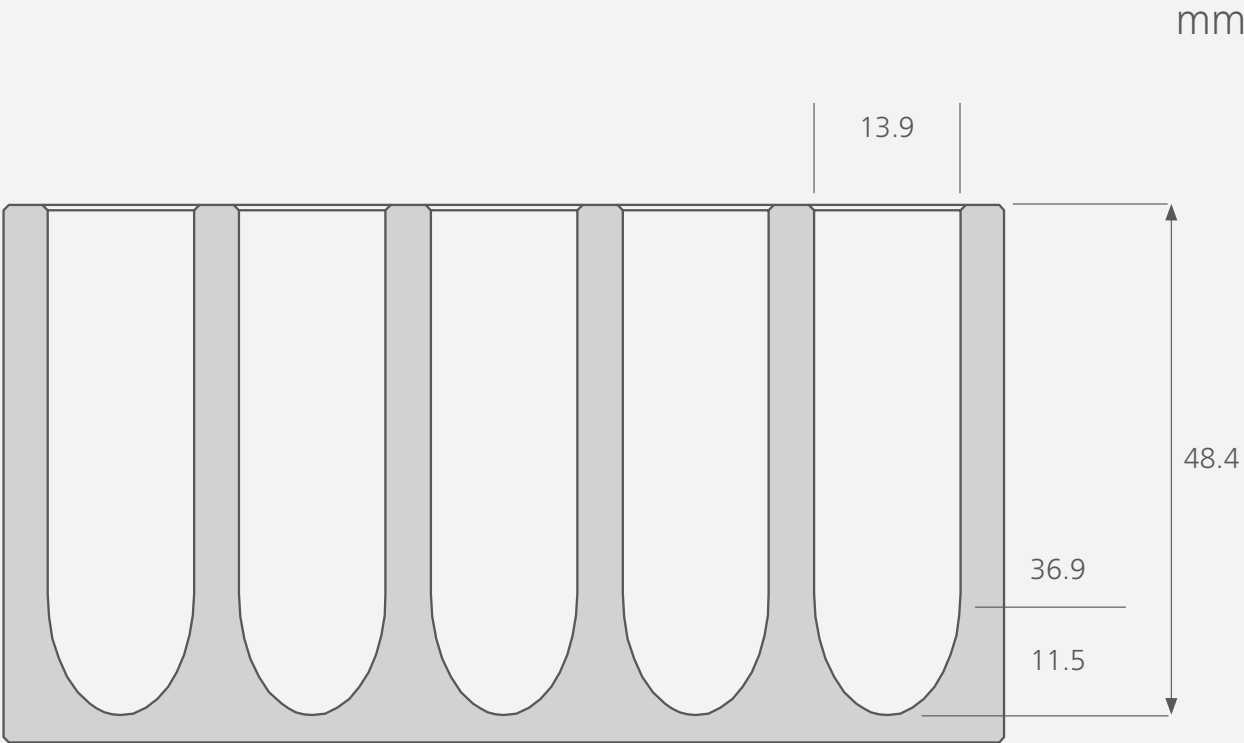
Heating Block DB 4.3



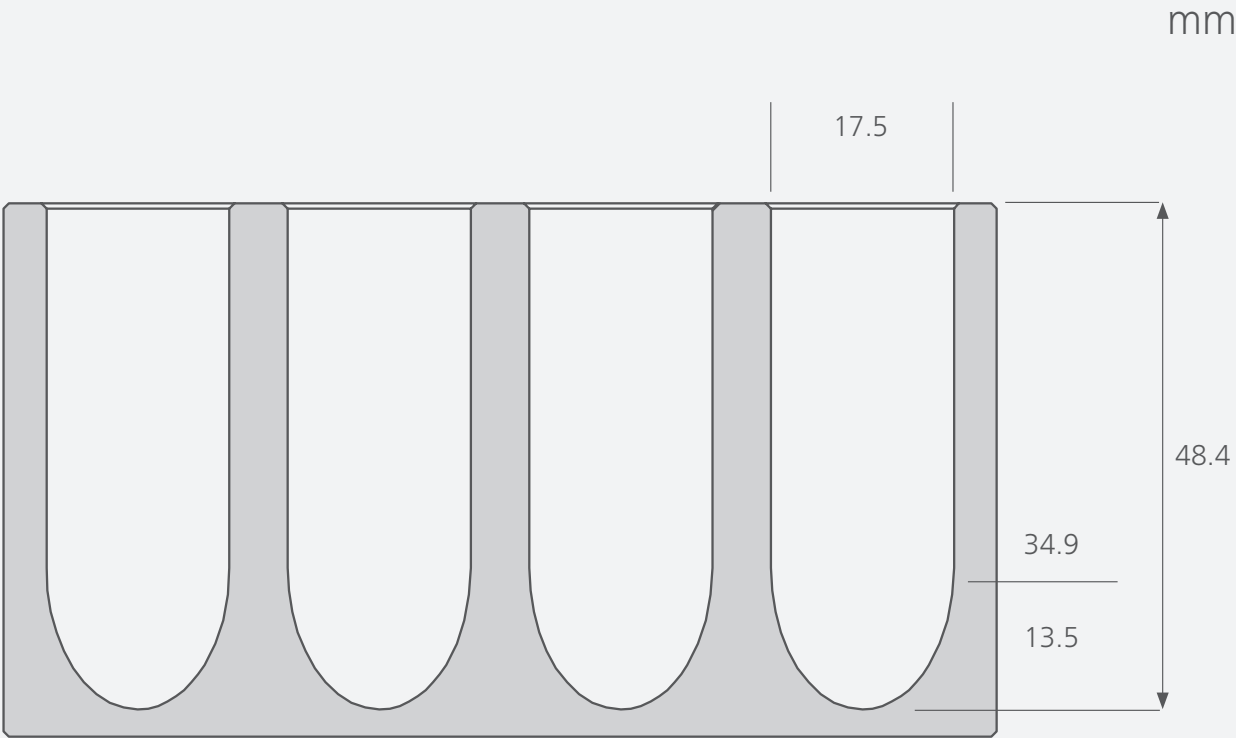
mm



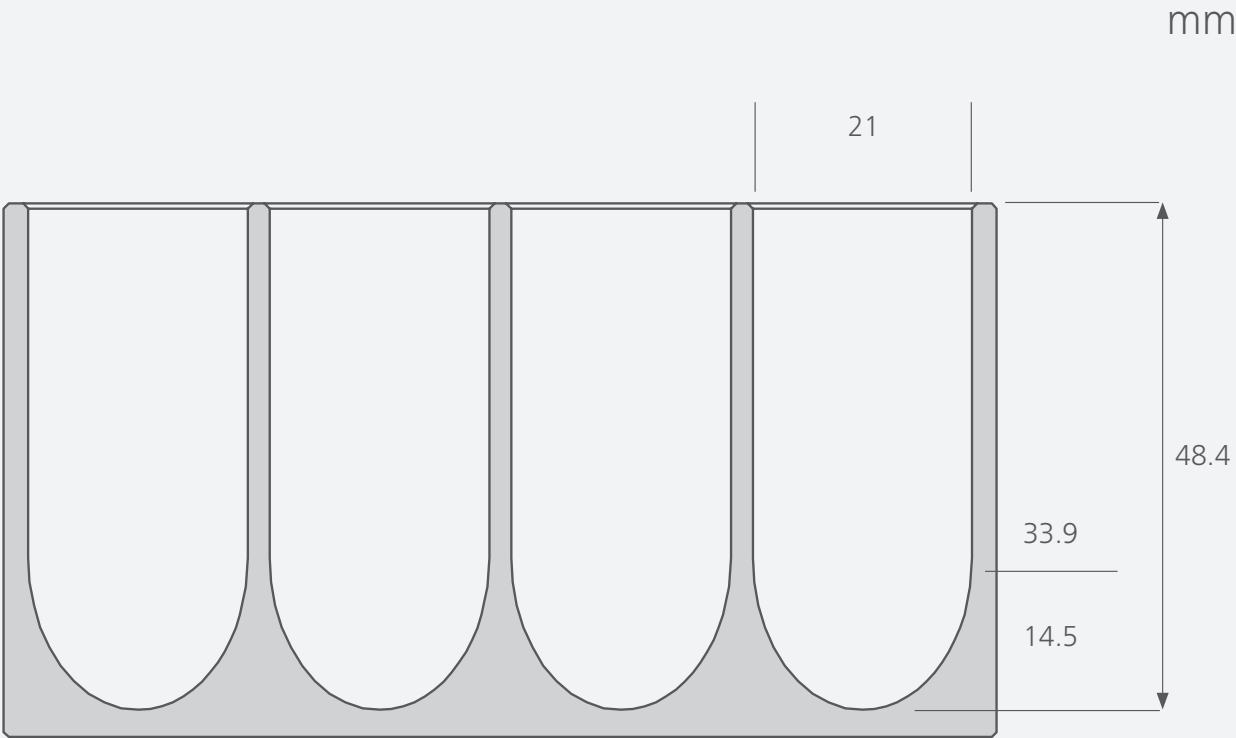
Heating Block DB 4.4



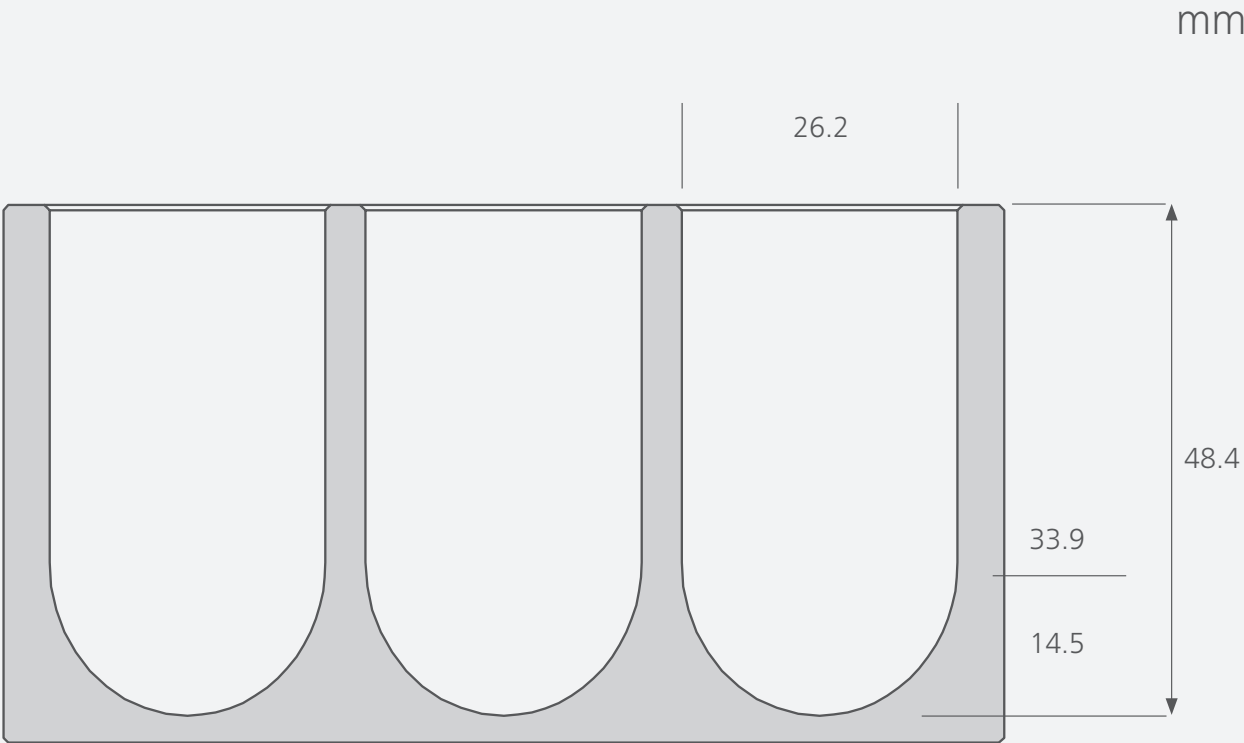
Heating Block DB 4.5



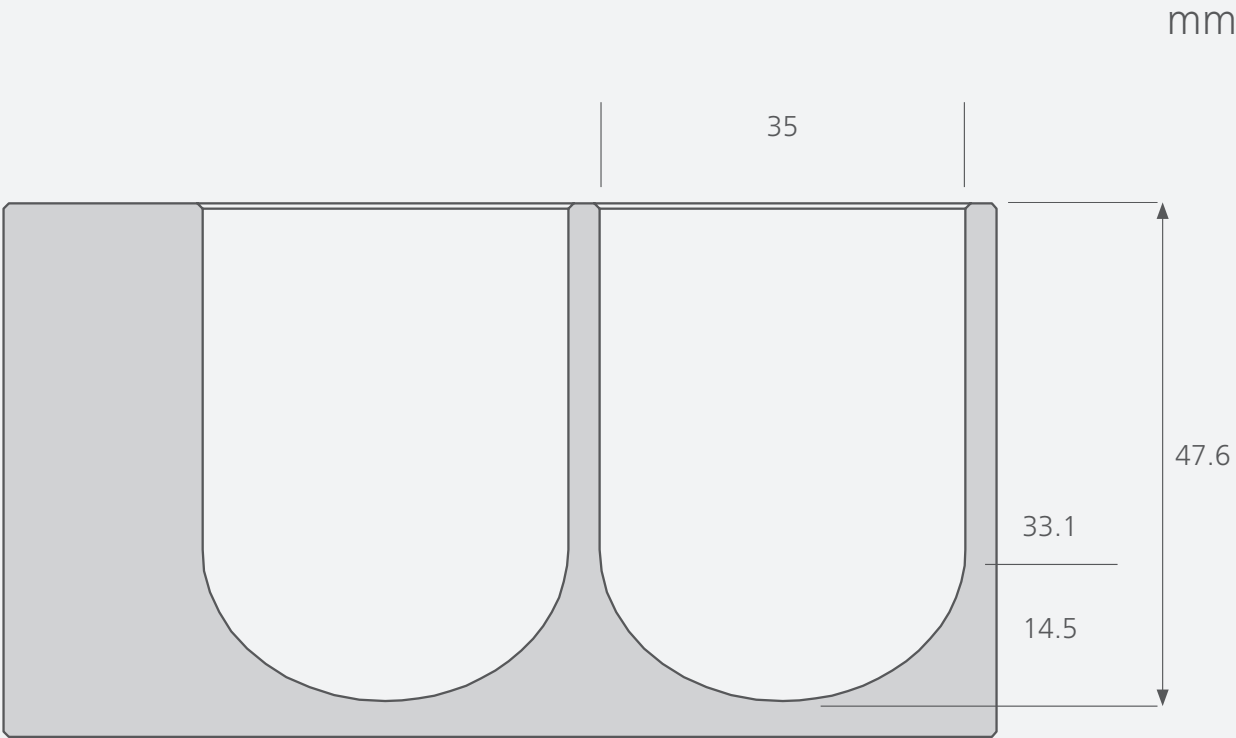
Heating Block DB 4.6



Heating Block DB 4.7



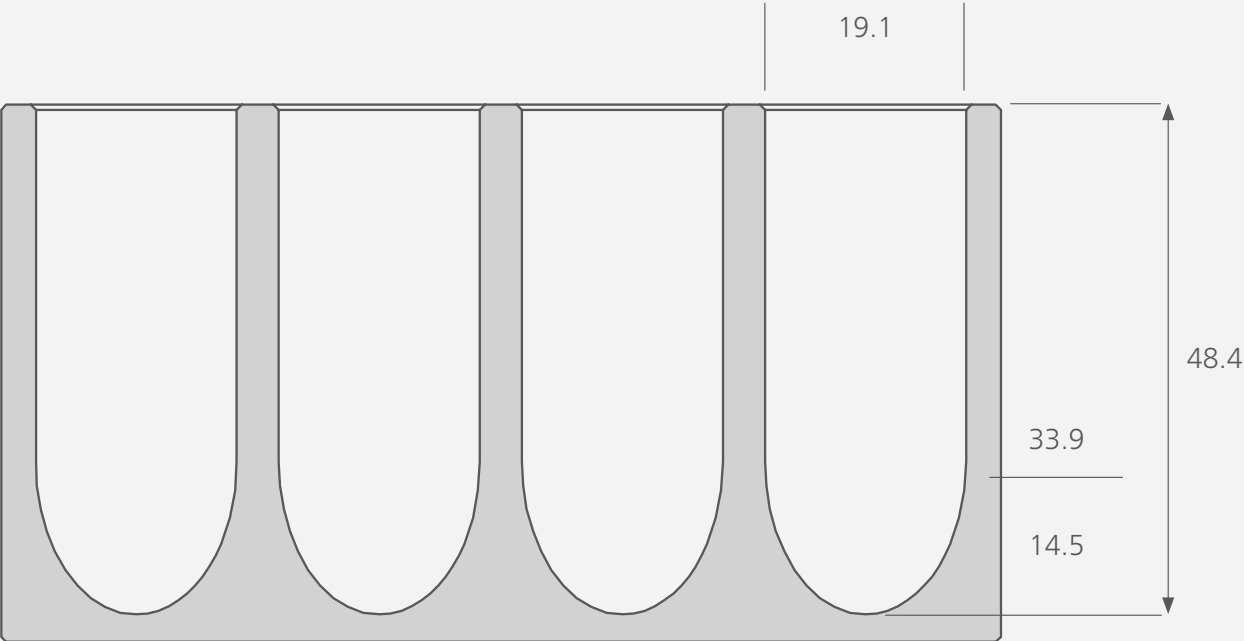
Heating Block DB 4.8



Heating Block DB 4.9



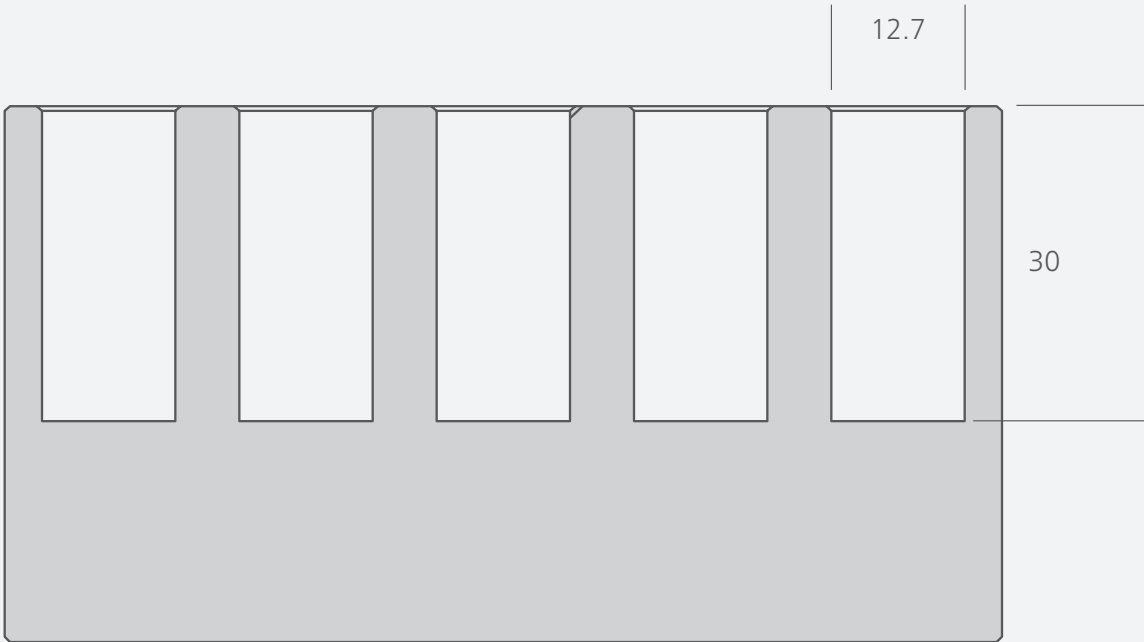
mm



Heating Block DB 5.1



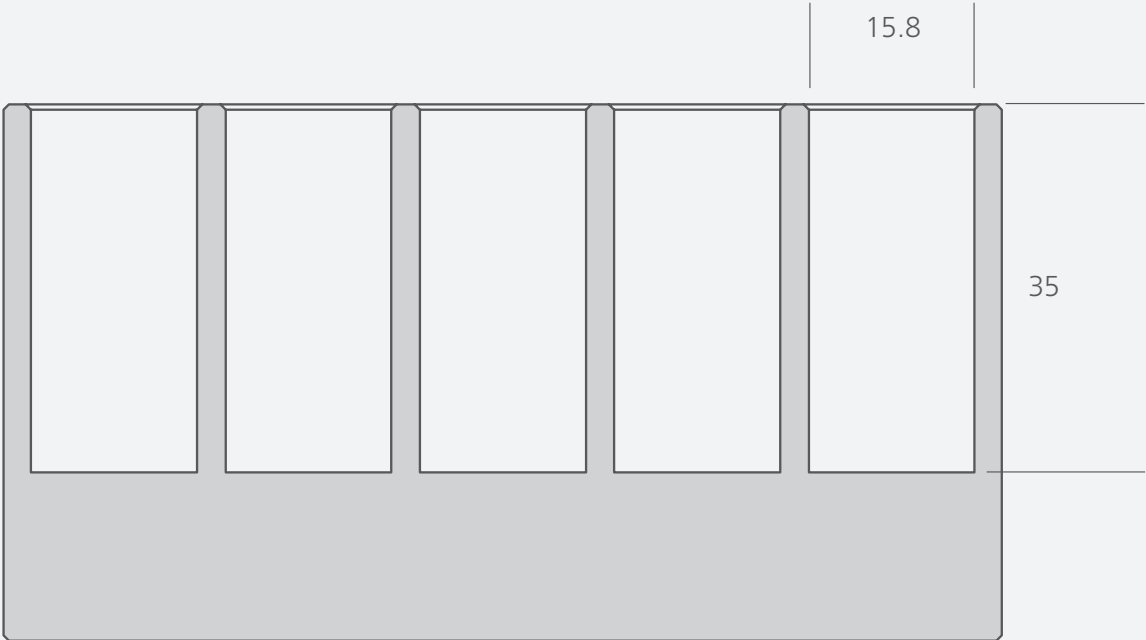
mm



Heating Block DB 5.2



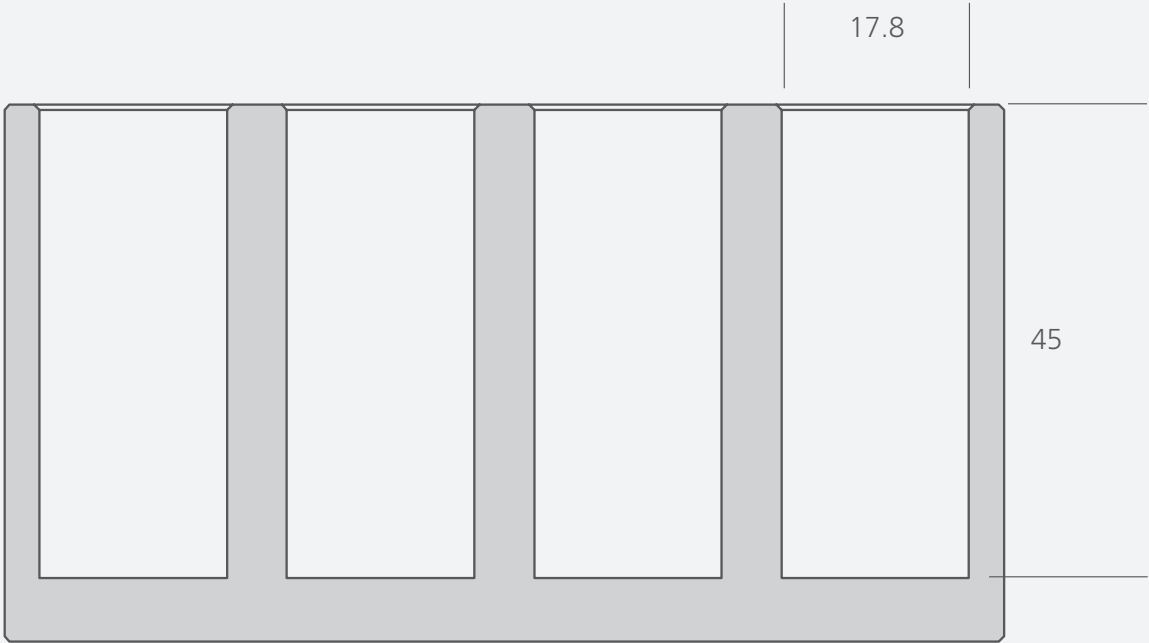
mm



Heating Block DB 5.3



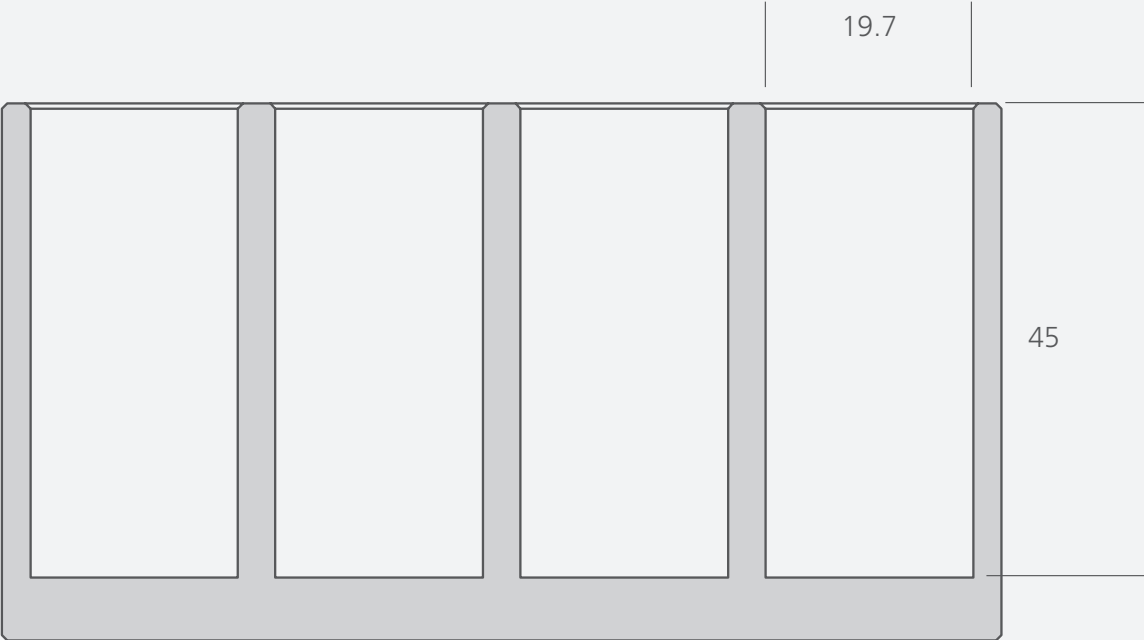
mm



Heating Block DB 5.4



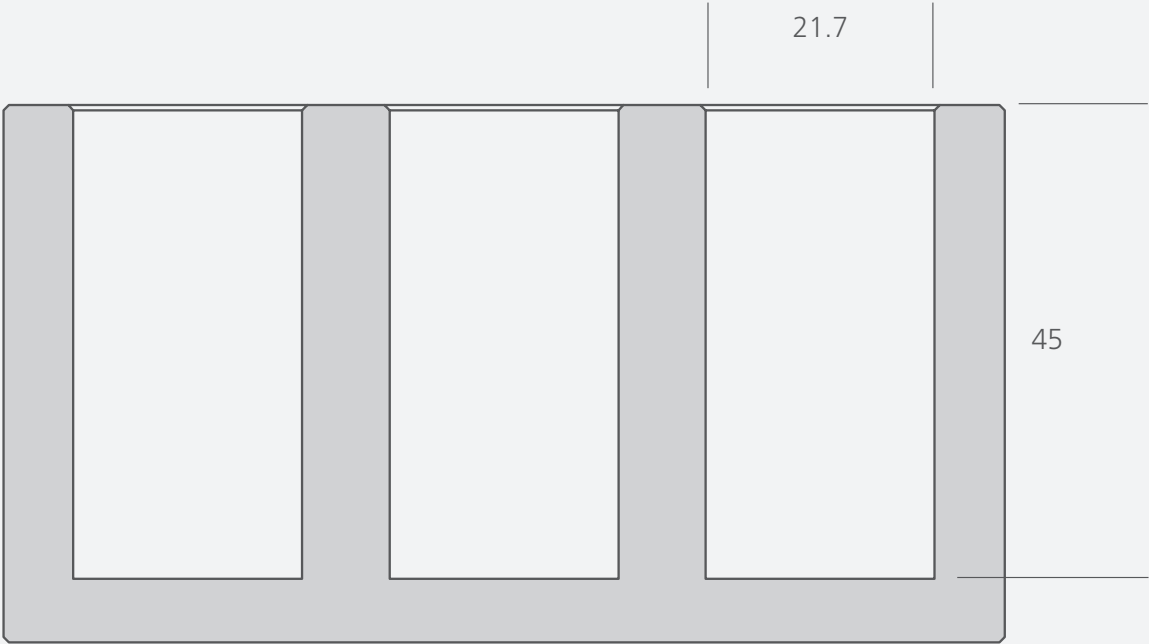
mm



Heating Block DB 5.5



mm



Heating Block DB 5.6



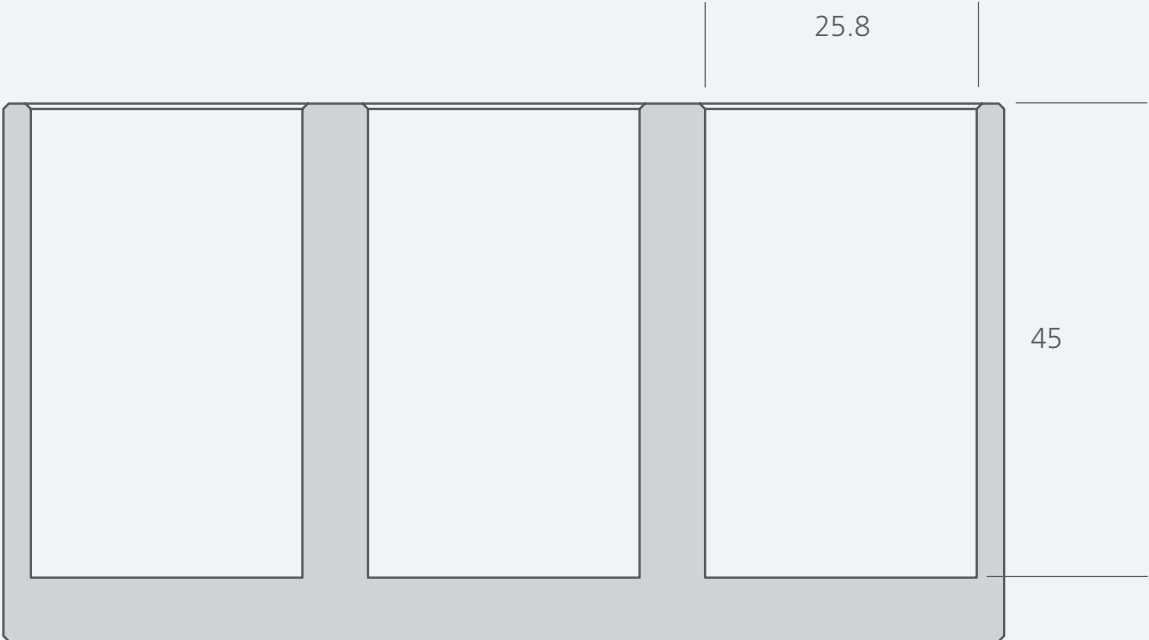
mm



Heating Block DB 5.7



mm



Heating Block DB 5.8



mm



Heating Block DB 5.9



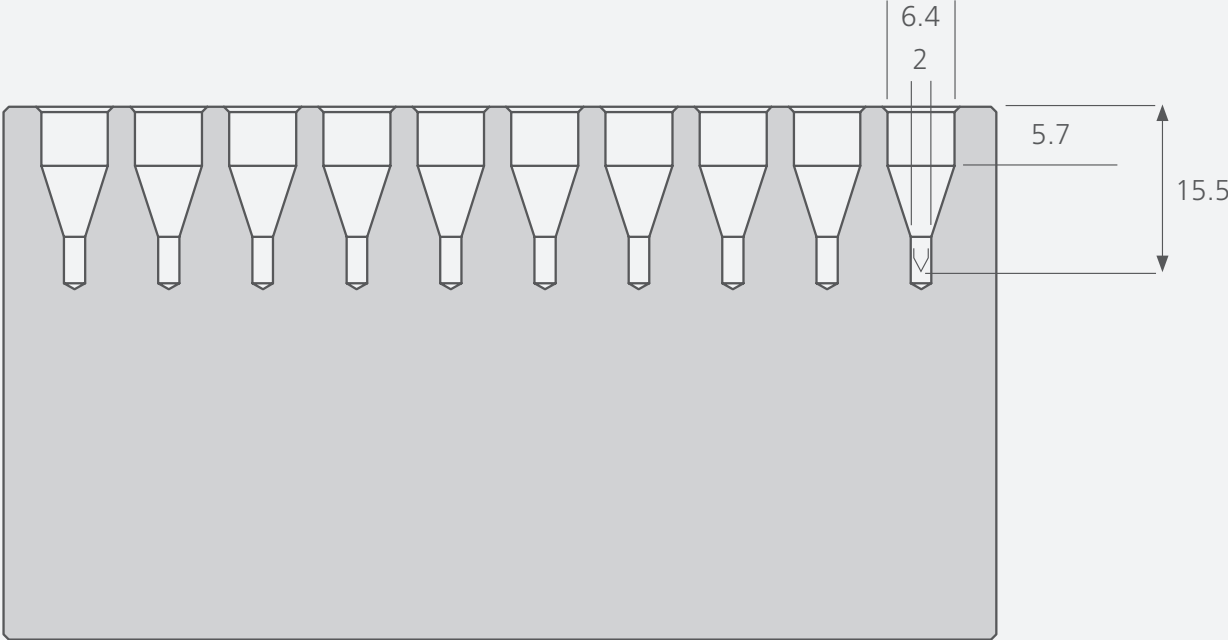
mm



Heating Block DB 6.1



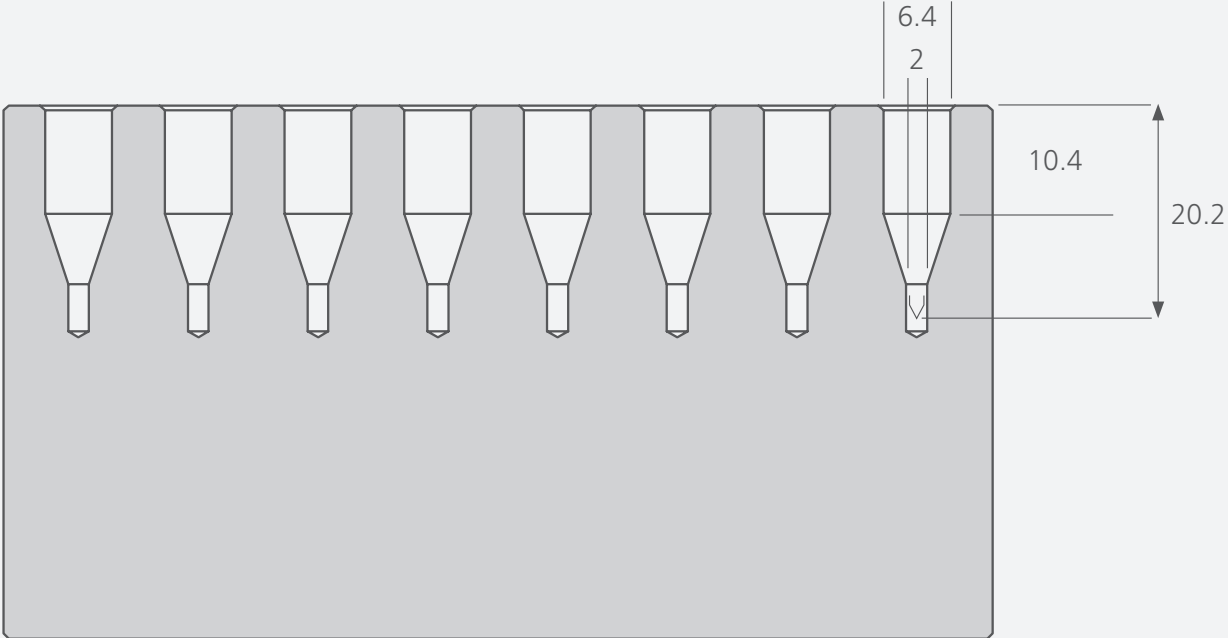
mm



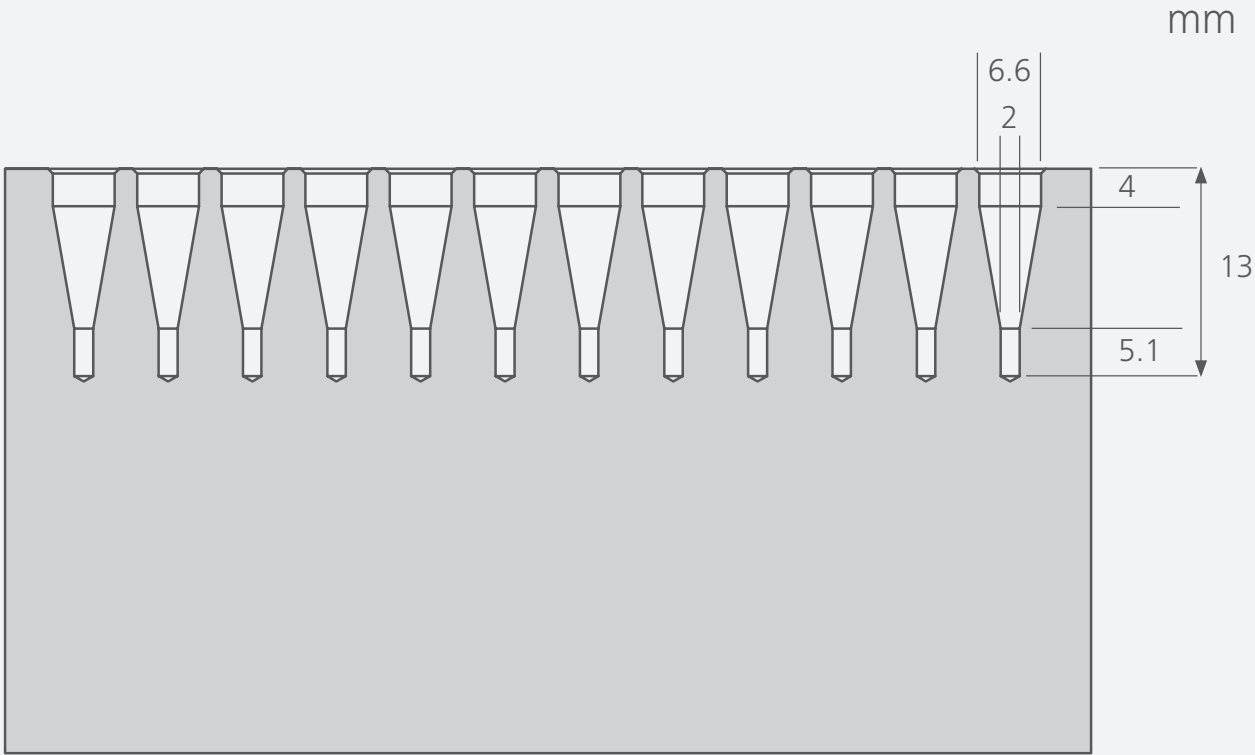
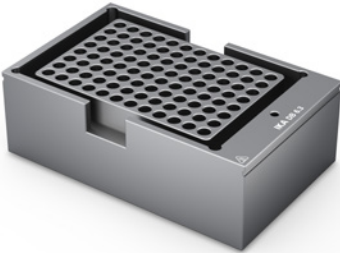
Heating Block DB 6.2



mm



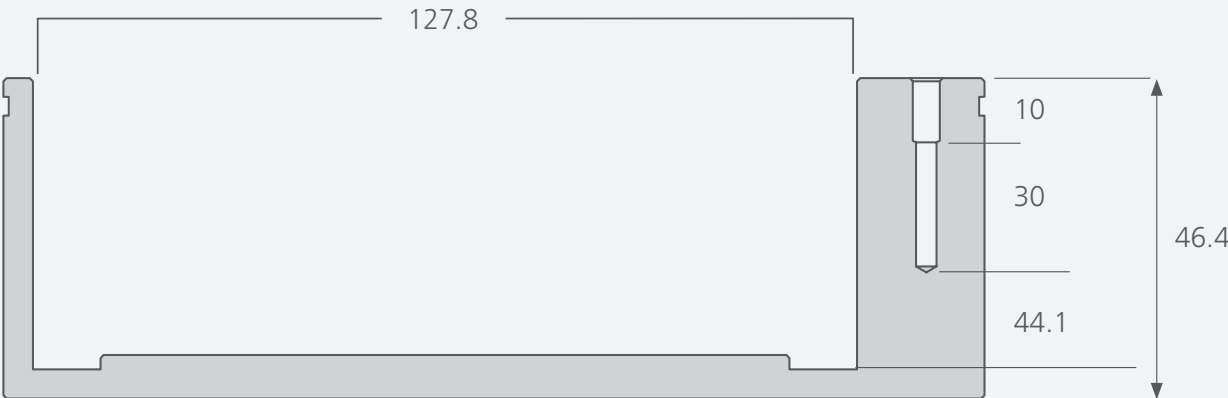
Heating Block DB 6.3



Heating Block DB 7.1



mm

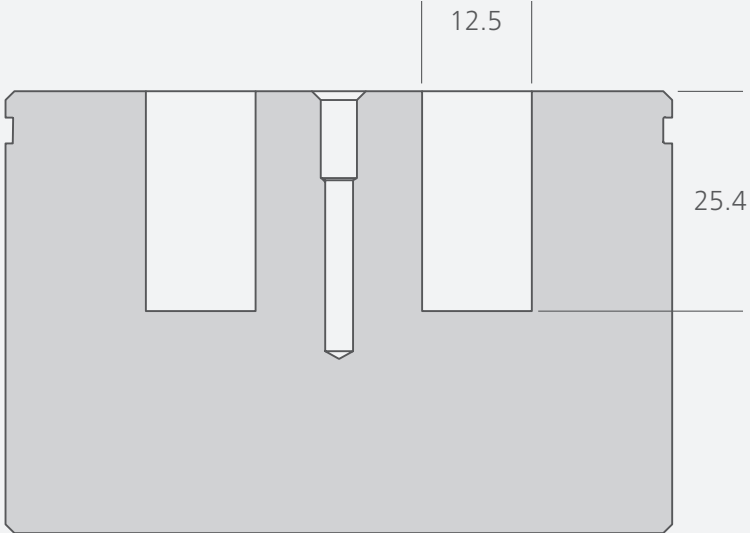


A-A (1:1) top view

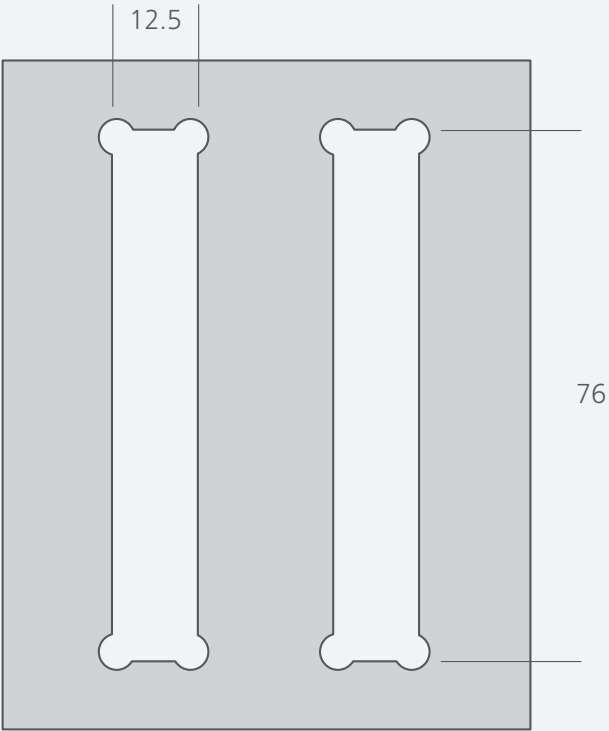
Heating Block DB 8.1



mm



A-A (1:1)



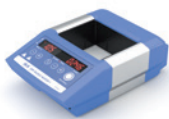
A-A (1:1) top view

Dry Block Heater for a broad range of applications

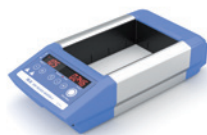


Dry Block Heater

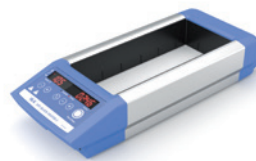
Digital block heater for one to four aluminum blocks provides precise temperature control in small vessels. Included PT-1000 temperature sensor allows temperature control directly in the sample vessel. It is used with PCR tubes, PCR strips, Greiner tubes, microplates and cuvettes. The block heater is ideal for melting and boiling point determination, enzyme reactions, incubation and activation of cultures, immunoassays, DNA denaturation, culture media test, coagulation test, blood-urea-nitrogen determination and in situ hybridizations.



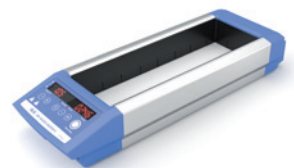
Dry Block Heater 1
Ident. No. 0004025100



Dry Block Heater 2
Ident. No. 0004025200



Dry Block Heater 3
Ident. No. 0004025300



Dry Block Heater 4
Ident. No. 0004025400