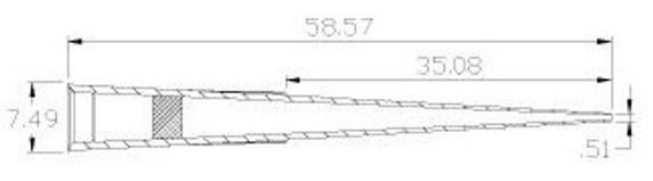
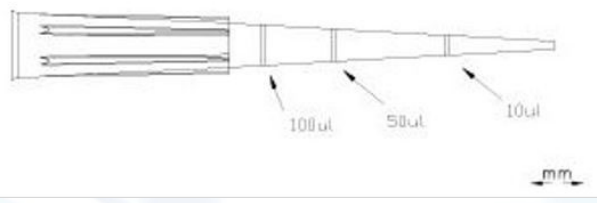


Clearline tips 200 µL Hybridrack ClearLine® sterile low retention

- In clear polypropylene
- Store in a clean and dry place, at room temperature
- Each batch number is certified : RNase, DNase free, Human DNA free, PCR inhibitor free and pyrogen free
- Traceability : 5 digit batch number, part number, volumetric tips, volumetric tips and their expiration date.

Part number	258358	
Packaging	HybridRack: cardboard rack with recyclable tip tray. (10 racks of 96 tips)	
Volume	1 - 200 µl	
Graduation	10, 50, 100	
Length	50,7 mm	
Color	Natural	
Low Retention	Yes	
Sterility	Yes - irradiation gamma	mm



Units :
960 Tips