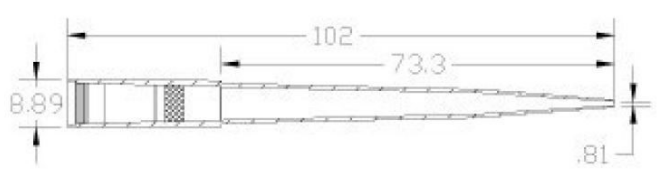
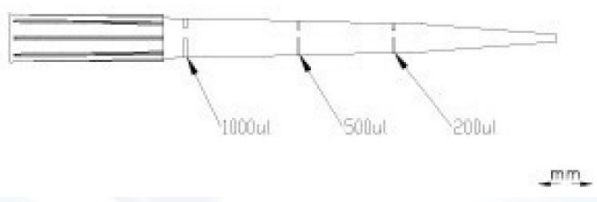


Clearline tips 1250 µL Hybridrack ClearLine® sterile low retention

- In clear polypropylene
- Store in a clean and dry place, at room temperature
- Each batch number is certified : RNase, DNase free, Human DNA free, PCR inhibitor free and pyrogen free
- Traceability : 5 digit batch number, part number, volumetric tips, volumetric tips and their expiration date.

Part number	258360	
Packaging	HybridRack: cardboard rack with recyclable tip tray. (8 racks of 96 tips)	
Volume	50 - 1250 µl	
Graduation	200, 500, 1000	
Length	102 mm	
Color	Natural	
Low Retention	Yes	
Sterility	Yes - irradiation gamma	



Units :
768 Tips