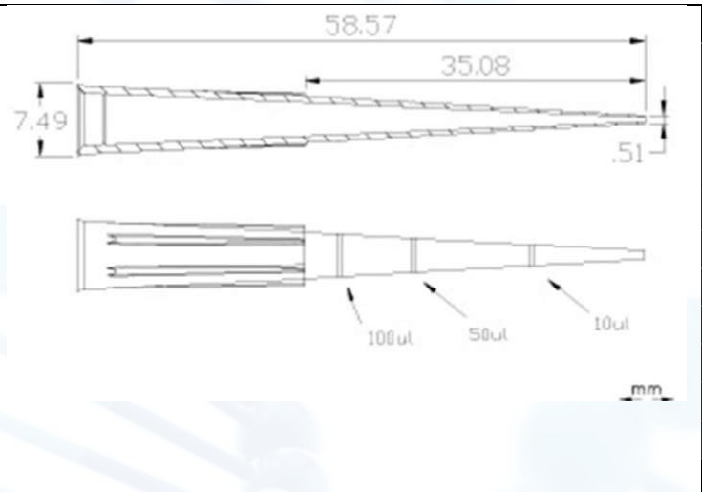


### Clearline tips 300µL Hybridrack ClearLine® sterile

- In clear polypropylene
- Store in a clean and dry place, at room temperature
- Each batch number is certified : RNase, DNase free, Human DNA free, PCR inhibitor free and pyrogen free
- Traceability : 5 digit batch number, part number, volumetric tips, volumetric tips and their expiration date.

|                      |   |
|----------------------|---|
| <b>Part number</b>   | 258363  |
| <b>Packaging</b>     | HybridRack:<br>cardboard rack with<br>recyclable tip tray. (10<br>racks of 96 tips) |
| <b>Volume</b>        | 300 µl  |
| <b>Graduation</b>    | 10, 50, 100   |
| <b>Length</b>        | 58,5 mm   |
| <b>Color</b>         | Natural   |
| <b>Filter</b>        | No  |
| <b>Low Retention</b> | No  |
| <b>Sterility</b>     | Yes   |
| <b>Autoclavable</b>  | Yes   |



**Units :**  
960 Tips