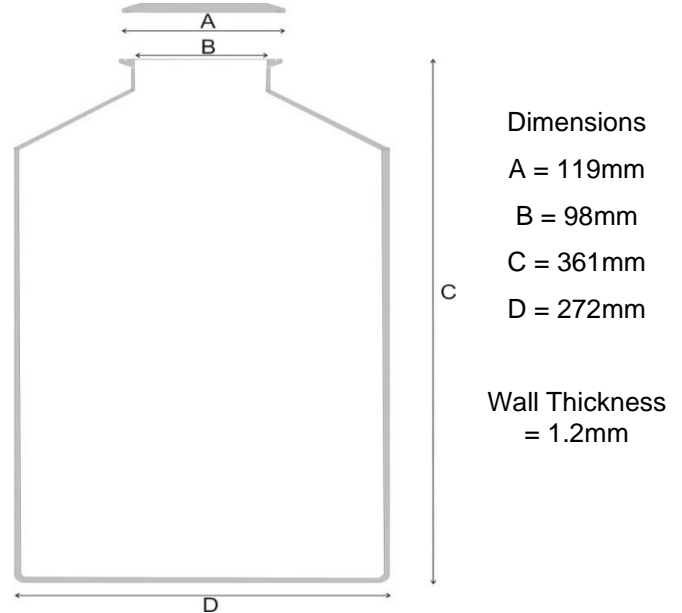


**1. Part Number:** A416-15

**2. Photograph:**



**3. Product Information:**

Description:	Stainless Container 15L
Materials of Construction:	- Body: 316L stainless steel - Lid: 316L stainless steel - Clamp: 304 stainless steel - Gasket: Silicone (FDA acceptable grade)
Method of Construction:	All welds ground and polished Crevice free interior
Surface Finish:	Better than 0.5 microns Ra
Nominal Volume	15 Litres
BSE/TSE statement:	All polishing compounds used in the manufacture of this product are of vegetable origin.
Weight:	4.6 Kg (body + lid + gasket + clamp)
Recommended Storage Conditions:	Dry and ambient temperature

Note: The neck of the container is fitted with a 4" diameter ferrule which conforms to BS4825-3

**4. Approval:**

Signed:



Name: Kuldeep Flora

Position: Quality Manager

Date: 14-Aug-20