



DATA SHEET

Product Code SLS1247 – SLS Select 4.6mL, 48 square wells, U bottom

About SLS1247

The 4.6mL square well 'U' bottom plate is a 48 well plate, 41.2mm high with a two-plate stack height of 81.00mm. The plate has a total volume of 4.9mL with a round well bottom for improved sample mixing, washing and for bead-beating applications.

The plate is manufactured in class 8 cleanrooms in polypropylene giving it good chemical resistance and usable temperature range of -80°C to +121°C. It has been developed precisely to conform to the footprint dimensions defined by SLAS/ANSI standards. This guarantees its compatibility with both manual and automated sample handling systems, readers, and microplate washers.



United Kingdom:
slsinfo@scientific-labs.com

International:
slsexport@scientific-labs.com

Northern Ireland:
NI.sales@scientific-labs.com

Republic of Ireland:
ROI.sales@scientific-labs.com

 **SCIENTIFIC
LABORATORY
SUPPLIES**



DATA SHEET

Product Code SLS1247 – SLS Select 4.6mL, 48 square wells, U bottom

KEY FACTS:

- Manufactured in ISO Class 8 Cleanroom
- Alphanumeric well coding
- High temperature and chemical resistance (-80°C to +121°C)
- Autoclavable
- RNase, DNase Free and Non-Pyrogenic
- Stackable for use in plate & automation hotels
- Stack Height for 2 plates 81.0mm
- Flat surface for sealing with adhesive and heat seals

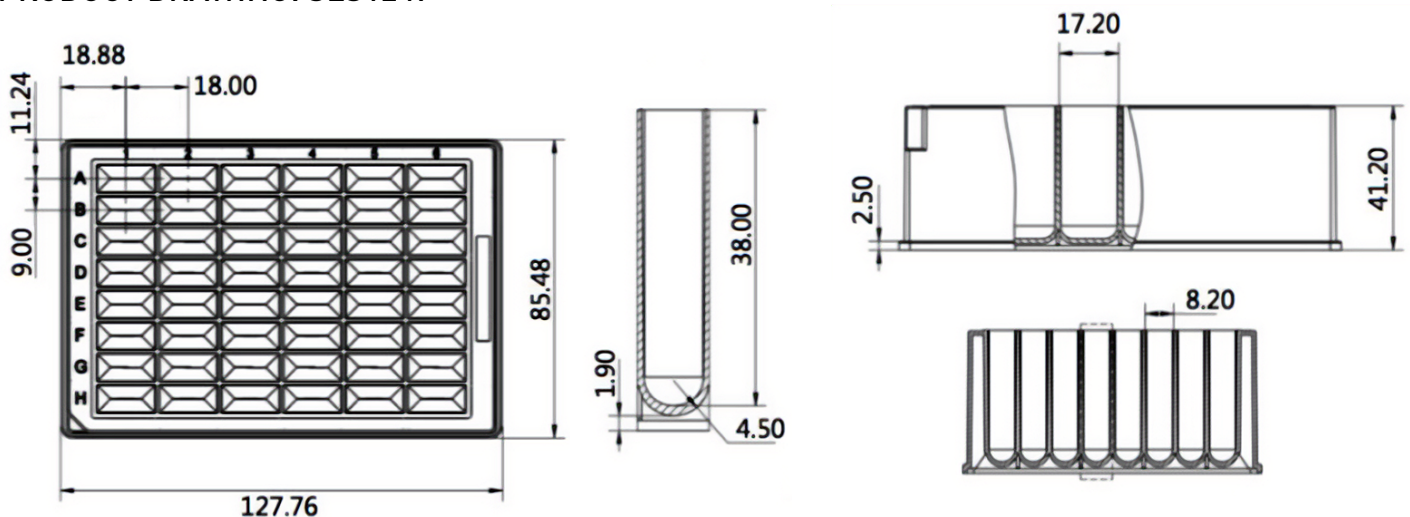
ORDERING INFORMATION:

- Case Dimensions: 50 x 29 x 25.5cm
- Case Weight: 6.5kg
- Case qty: 50 Plates
- Packsize: 10 Bags x 5 Plates
- Standard pallet quantity: 34 cases



SLS code	Qty per pack	Wells	Well bottom	Max volume mL	L	W	H	Well depth	Well dimension	Stack height of 2 plates
SLS1247	50	48	U	4.9	128	85.48	41.2	38	8.2 x 17.2	81

PRODUCT DRAWING: SLS1247



United Kingdom:
slsinfo@scientific-labs.com

International:
slsexport@scientific-labs.com

Northern Ireland:
NI.sales@scientific-labs.com

Republic of Ireland:
ROI.sales@scientific-labs.com

