

Specifications	Catalog number	TSX3004BV
	Model Number	TSX3004BV
	Application, Rating and Electrical Data	Blood Bank (non-flammable) Refrigerator
Application	Blood Bank (non-flammable) Refrigerator	
Storage Volume	827 Liters / 29.2 Cubic Feet	
Factory Set Point	4°C	
Set Point Range/Adjustable Increment	3°C to 7°C / 0.1°C	
Electrical Power / Rated Current	208-230V 50 Hz 1 Phase / 4.4A	
Building Supply Rating	15A dedicated grounded non-GFCI circuit. Protected by circuit breaker rated for inductive loads	
Power Plug/Power Cord Length	16 Amp (CEE 7/7) / 3.048 Meters (10 feet)	
Agency Listings	CE, UL, cUL, FDA	
Indoor/Outdoor Usage	Indoor Use Only	
Application Environment	Non-Corrosive, Non-Flammable, Non-Explosive, Good Air Ventilation	
Ambient Operating Temperature	15° C - 32° C (60° F - 90° F)	
	Refrigeration Configuration	
Refrigeration System	Vapor compression system	
Compressor / Number / Capacity	Hermetic Variable Capacity Compressor / 1 / 394W	
Condenser Type/Number	Enhanced Finned-Tube and Forced-Air Cooled / 1	
Expansion Device	Capillary Tube	
Evaporator Type / Defrost Method	Forced Air Evaporator Coil / Automatic Defrost	
Refrigerant Charge / Flammability	R290, 140gms, GWP:3 ODP:0 / Flammable	
	Controller/Electrical System Configuration and Features	
Controller Level	Eye Level	
Power Switch	Keyed Off-On - Alarm	
Controller Type	IntrLogic Control System: Digital display, Graphic thermometer, Automatic defrost system	
Setpoint Security / Programmable	Yes / Yes	
Compressor Safe Guard	Current protection	
Control Sensor	Single RTD (1000 ohm shielded Platinum RTD)	
Connectivity / Remote Outputs	Standard	
Adjustable Warm / Cold Alarms	Fully Adjustable	
Power Failure Alarm	Standard	
Electronic Chart Recorder	Standard	
	Dimensions and Construction	
Interior Dimensions (D x W x H)	72.3 cm X 76.2 cm X 147.3 cm (28.5" x 30.0" x 58.0")	
Exterior Dimensions (D x W x H)	94.7 cm x 86.4 cm x 199.4 cm (37.3" x 34.0" x 78.5")	
Insulation	5.08 cm (2.0") High-Density Water-Blown Polyurethane Foam	
Door Perimeter heater	Yes	
Shelves / Load Limit	(6) Drawers Adjustable In 1" Increments / 36 kg (80 lbs) per Drawer	
All-Direction Casters	Standard with Locks	
Shipping Weight	251 kg / 554 lb	

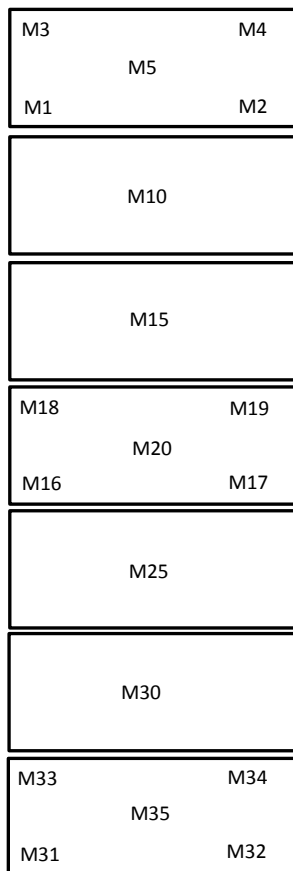
<p>30 cuft Upright Refrigerator, Pull Down and Warm Up</p>	<p>30 cuft Upright Refrigerator at 4C Cycle</p>	<p>Test Unit Series Number or MSO Number: 19758-A-4</p> <p>Cabinet Load: Unloaded</p> <p>Average Cabinet Temp at 4C Cycle (C): 4.3</p> <p>Peak Variation from Setpoint (C): +1.2 / -0.6</p> <p>Uniformity (C): 0.6</p> <p>Stability (C): 1</p> <p>1-min Door Opening Recovery to 4C (min): 4</p> <p>Duty Cycle at 4C (%): 27</p> <p>Cycle (on/off) rate at 4C (min): 4 / 10</p> <p>Energy Consumption (kw-hr/day): 4.1</p> <p>Heat Rejection Rate (btu/hr): 580</p> <p>Pull Down Time (to 4C) (min): 20</p> <p>Warm Up Time (4C to 15C) (min): 382</p> <p>Sound (dBA): 52</p>
---	--	---

- 1) Performance is nominal and individual units may vary.
- 2) Product performance will differ due to product amount, product size and operating conditions.
- 3) Continuous product enhancements may, without notice, result in amendments or omissions to this specification. Thermo Scientific cannot accept responsibility for damage, injury, loss or expenses resulting from misapplication of the information herein.

Typical Cabinet Temperature Map
Refrigerator 30cuft , 6 Drawers, Single Outer Door

Temperatures are averages during > 20 cycles after reaching a setpoint of 4C

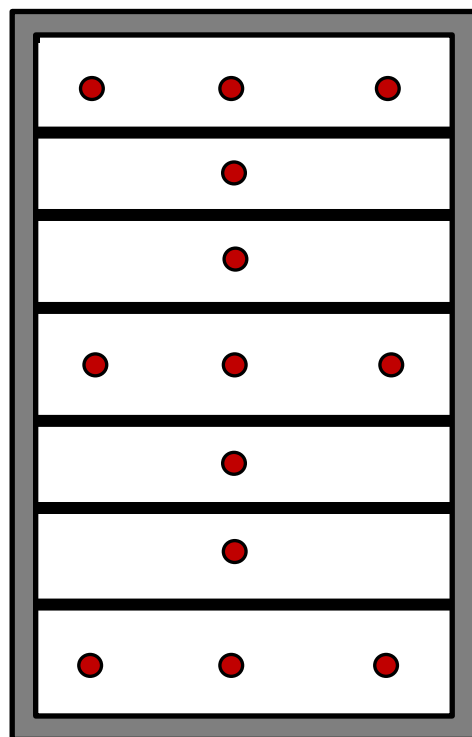
Top View of Shelves



REAR

FRONT

Front View

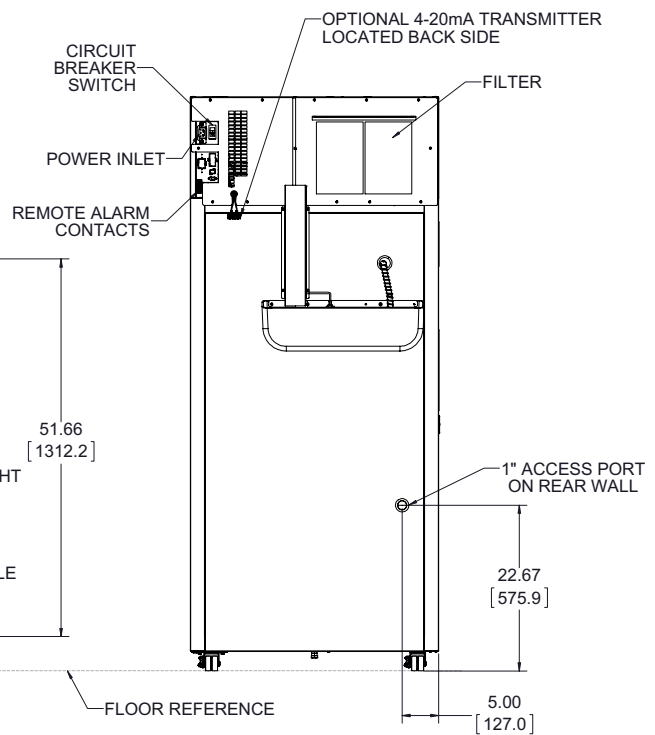
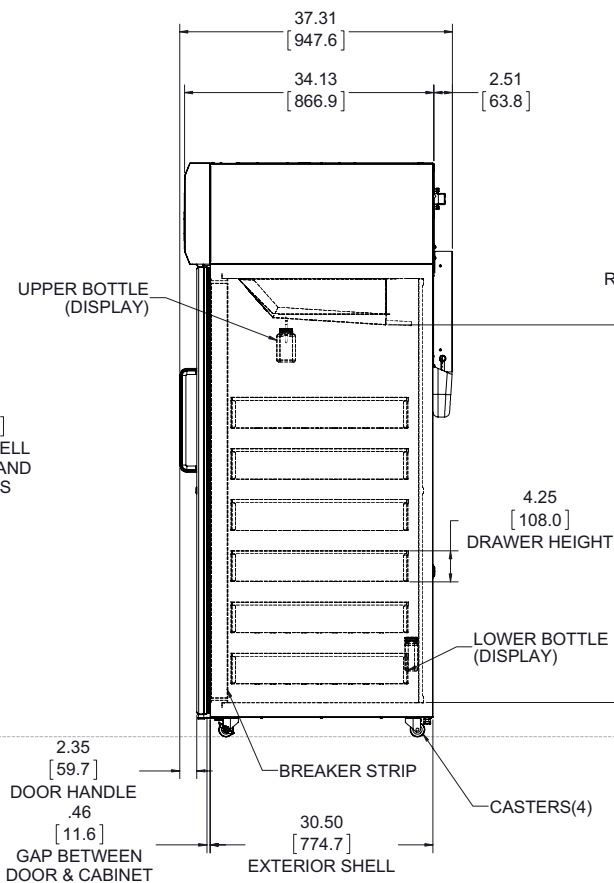
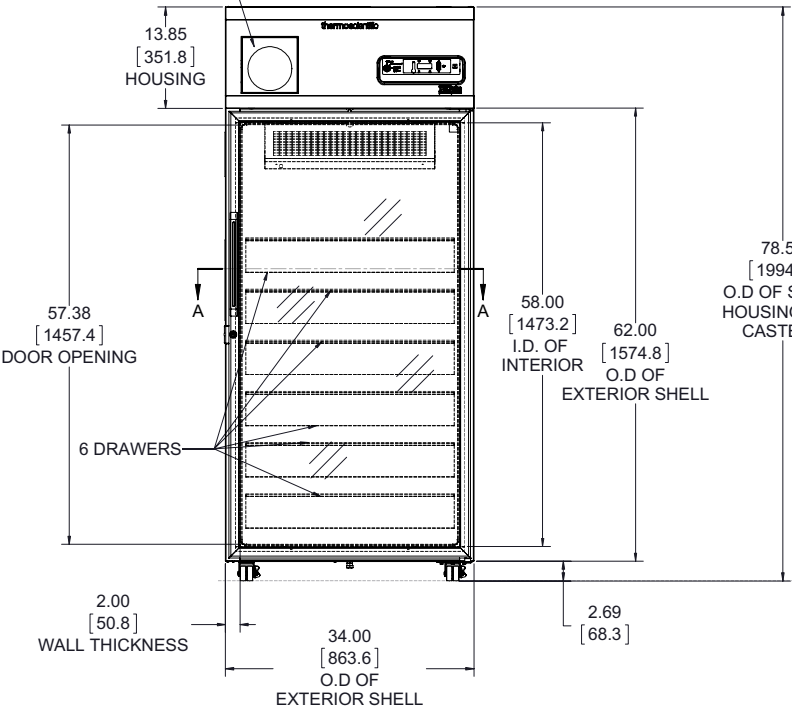
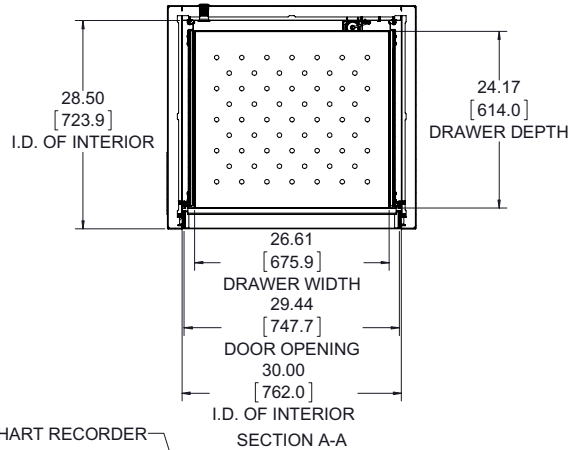


19758-A-2

	M1	M2	M3	M4	M5
Avg	4.4	4.6	4.3	4.3	4.4
Max	4.9	4.8	5	4.9	5.2
Min	4	4.4	3.6	3.8	3.9
	M10	M15			
Avg	4.2	4.2			
Max	5	4.8			
Min	3.5	3.8			
	M16	M17	M18	M19	M20
Avg	4.2	4.3	4.1	4.1	4.2
Max	4.8	4.6	5	4.6	4.8
Min	3.9	4.1	3.4	3.7	3.8
	M25	M30			
Avg	4.3	4.4			
Max	4.8	4.8			
Min	4	4.2			
	M31	M32	M33	M34	M35
Avg	4.5	4.4	4.3	4.3	4.3
Max	4.8	4.8	5	4.8	4.9
Min	4.3	4.1	3.8	3.8	3.9

Cabinet Average: 4.3 C
Probe Average: 4.5 C
Peak Variation: +1.2 C / -0.6 C

ONLY CABINET SHOWN FOR CLARITY IN TOP VIEW,
TO ILLUSTRATE INTERIOR DIMENSIONS



NOTE: DUAL DIMENSION IS INCHES OVER MILLIMETERS
DO NOT USE FOR ENGINEERING PURPOSES. SUBJECT TO CHANGE WITHOUT NOTICE.

30 cu.ft. Blood Bank Refrigerator
6 Drawers
Single Outer Door
Top Mount Controls

327839G09_rA