

Technical Data Sheet

High Performance Chromatography Refrigerator

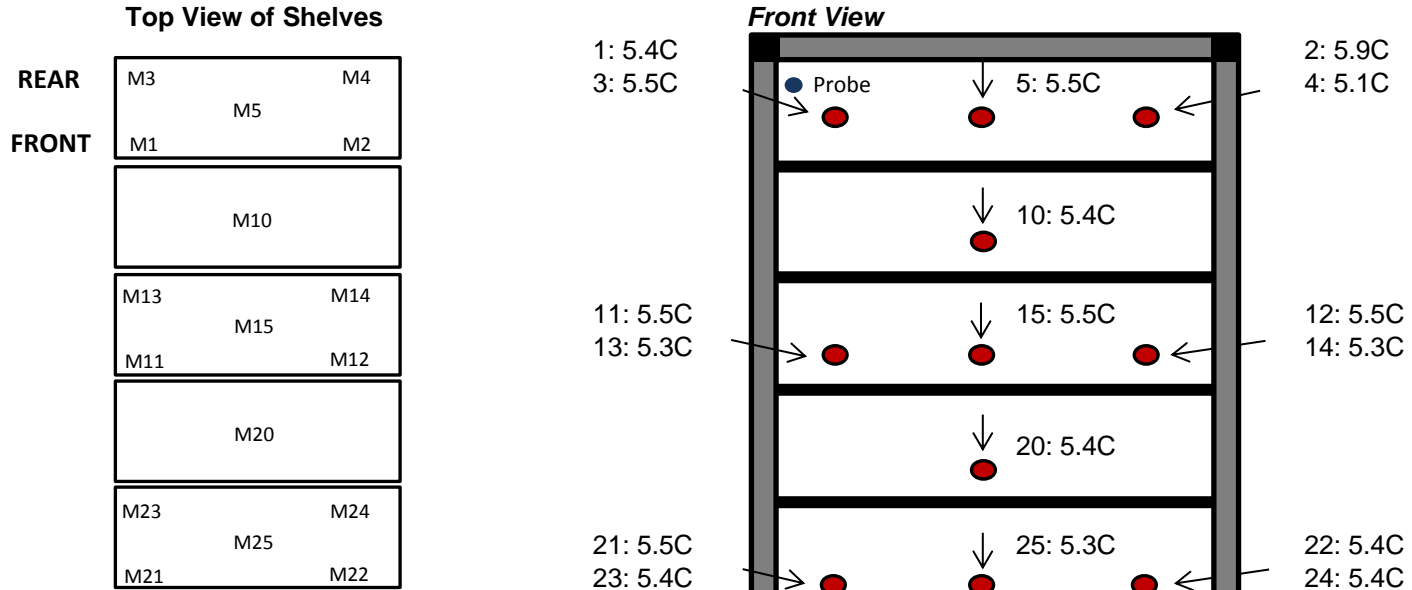
Revision-0

Thermo Fisher Scientific, Asheville, North Carolina

Specifications	Catalog number
	TSX3005CV
	Model Number
	TSX3005CV
Application, Rating and Electrical Data	
Application	Chromatography (non-flammable) Refrigerator
Storage Volume	827 Liters / 29.2 Cubic Feet
Factory Set Point	5°C
Set Point Range/Adjustable Increment	3°C to 7°C/ 0.1°C
Electrical Power / Rated Current	208-230V 50 Hz 1 Phase / 4.4A / 4A (Internal outlet)
Building Supply Rating	15A dedicated grounded non-GFCI circuit. Protected by circuit breaker rated for inductive loads
Power Plug/Power Cord Length	(2X) 16 Amp (CEE 7/7) / 3.048 Meters (10 feet)
Agency Listings	CE, UL, cUL
Indoor/Outdoor Usage	Indoor Use Only
Application Environment	Non-Corrosive, Non-Flammable, Non-Explosive, Good Air Ventilation
Ambient Operating Temperature	15° C - 32° C (60° F - 90° F)
Refrigeration Configuration	
Refrigeration System	Vapor compression system
Compressor / Number / Capacity	Hermetic Variable Capacity Compressor / 1 / 394W
Condenser Type/Number	Enhanced Finned-Tube and Forced-Air Cooled / 1
Expansion Device	Capillary Tube
Evaporator Type / Defrost Method	Forced Air Evaporator Coil / Automatic Defrost
Refrigerant Charge / Flammability	R290,140gms,GWP:3 ODP:0 / Flammable
Controller/Electrical System Configuration and Features	
Controller Level	Eye Level
Power Switch	Keyed Off-On - Alarm
Controller Type	IntrLogic Control System: Digital display, Graphic thermometer, Automatic defrost system
Setpoint Security / Programmable	Yes / Yes
Compressor Safe Guard	Current protection
Control Sensor	Single RTD (1000 ohm shielded Platinum RTD)
Connectivity / Remote Outputs	Remote alarm contacts, RS485 output and 4-20 mA output (optional)
Adjustable Warm / Cold Alarms	Fully Adjustable
Power Failure Alarm	Standard
Electronic Chart Recorder	Optional
Dimensions and Construction	
Interior Dimensions (D x W x H)	72.3 cm X 76.2 cm X 147.3 cm (28.5" x 30.0" x 58.0")
Exterior Dimensions (D x W x H)	94.7 cm x 86.4 cm x 199.4 cm (37.3" x 34.0" x 78.5")
Insulation	5.08 cm (2.0") High-Density Water-Blown Polyurethane Foam
Door Perimeter heater	Yes
Shelves / Load Limit	(2) Adjustable Half Wire Shelves / Max. Cap. per Shelf: 22.5 kg (50 lbs.)
All-Direction Casters	Standard with Locks
Shipping Weight	201 kg / 442 lb

Typical Performance Characteristics		
<p>30 cuft Upright Refrigerator, Pull Down and Warm Up</p>	<p>30 cuft Upright Refrigerator at 5C Cycle</p>	<p>Test Unit Series Number or MSO Number: 19758-A-4</p> <p>Cabinet Load: Unloaded</p> <p>Average Cabinet Temp at 5C Cycle (C): 5.4</p> <p>Peak Variation from Setpoint (C): +1.9 / -1.5</p> <p>Uniformity (C): 0.8</p> <p>Stability (C): 2.3</p> <p>1-min Door Opening Recovery to 5C (min): 2</p> <p>Duty Cycle at 5C (%): 27</p> <p>Cycle (on/off) rate at 5C (min): 3 / 8</p> <p>Energy Consumption (kw-hr/day): 4.0</p> <p>Heat Rejection Rate (btu/hr): 567</p> <p>Pull Down Time (to 5C) (min): 10</p> <p>Warm Up Time (5C to 15C) (min): 180</p> <p>Sound (dBA): 52</p>

- Performance is nominal and individual units may vary.
- Product performance will differ due to product amount, product size and operating conditions.
- Continuous product enhancements may, without notice, result in amendments or omissions to this specification. Thermo Scientific cannot accept responsibility for damage, injury, loss or expenses resulting from misapplication of the information herein.

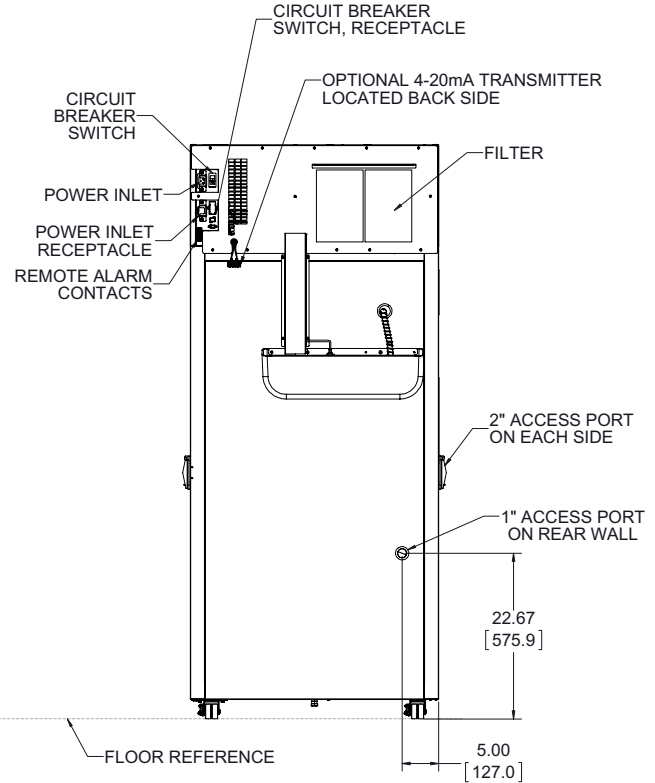
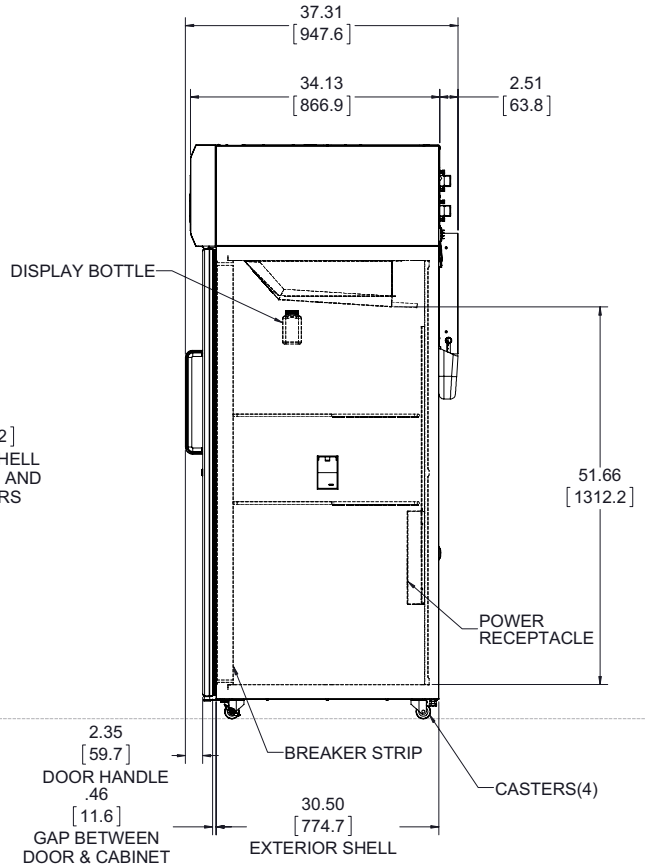
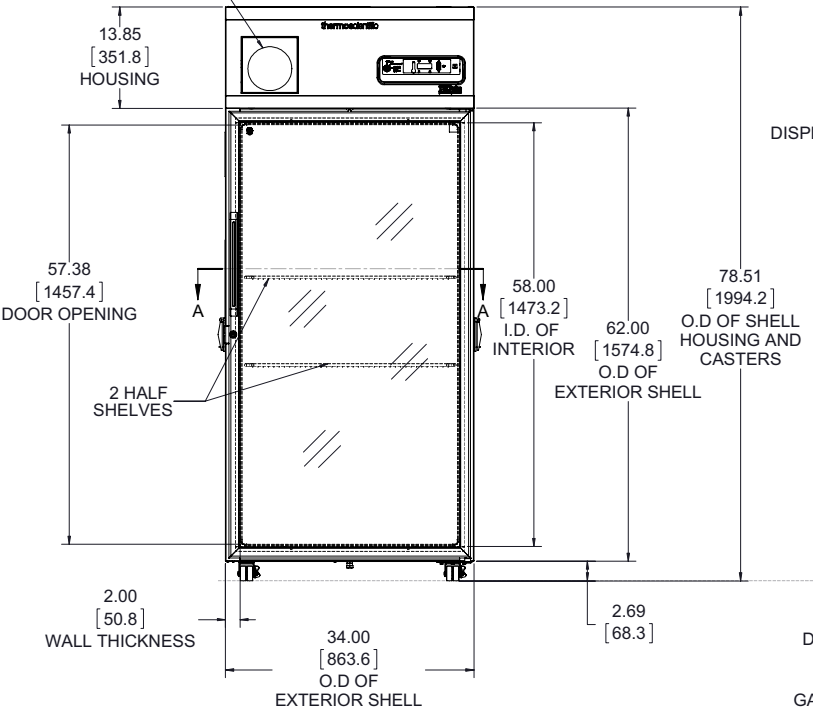
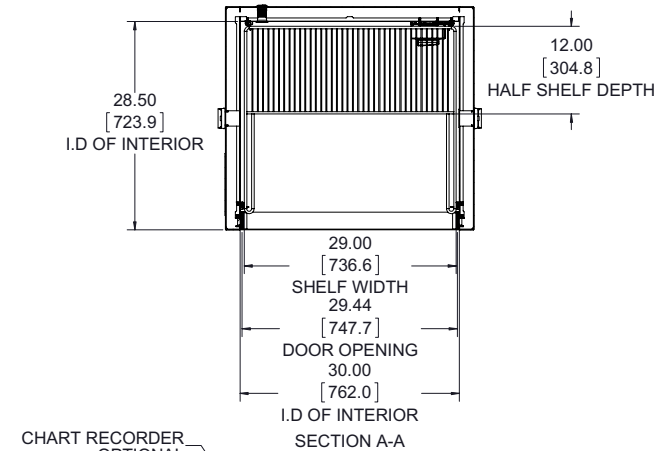


Cabinet Average: 5.4 C
Probe Average: 5.5 C
Peak Variation: +1.9 C / -1.5 C

	M1	M2	M3	M4	M5	M10	M11	M12	M13
Avg	5.4	5.9	5.5	5.1	5.5	5.4	5.5	5.5	5.3
Max	6.5	6.9	6.6	6.7	6.6	6.5	6.6	6.5	6.4
Min	4.4	5	4.4	3.5	4.5	4.3	4.5	4.6	4.2

	M14	M15	M20	M21	M22	M23	M24	M25
Avg	5.3	5.5	5.4	5.5	5.4	5.4	5.4	5.3
Max	6.6	6.7	6.5	6.8	6.6	6.6	6.5	6.6
Min	3.9	4.5	4.2	4.2	4.2	4.2	4.3	4

ONLY CABINET SHOWN FOR CLARITY IN TOP VIEW,
TO ILLUSTRATE INTERIOR DIMENSIONS



NOTE: DUAL DIMENSION IS INCHES OVER MILLIMETERS
DO NOT USE FOR ENGINEERING PURPOSES. SUBJECT TO CHANGE WITHOUT NOTICE.

30 cu.ft. Chromatography Refrigerator
2 Half Shelves
Single Outer Door
Top Mount Controls

327839G12_rA